

ARDEX Butynol®

BRANZ Appraised, E2/AS1 Acceptable Solution

Square chase

ARDEX CA20P

Radius angle

ARDEX Butynol adhered with ARDEX WA98

Fillet

Concrete

150mm min

ARDEX Butynol is adhered with ARDEX WA98 Adhesive into square chase and finished with ARDEX CA20P Sealant

	ARDEX BUTYNOL Flashing into Concrete Walls	No.: ab-001	Systems All

Roof Cladding

Plywood

Plywood substrate to comply with current ARDEX Butynol Masterspec Specification

Fillet

Gutter size & fall in accordance with NZBC-E2 300min.

5° min.

70mm

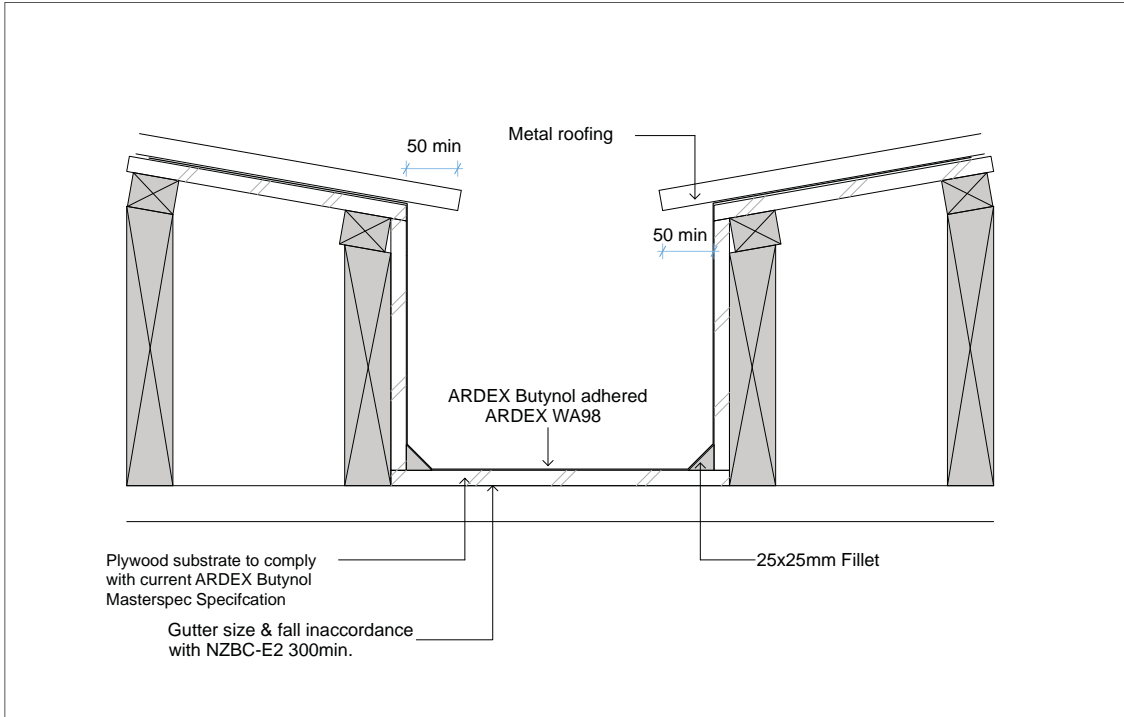
70mm

Metal Capping

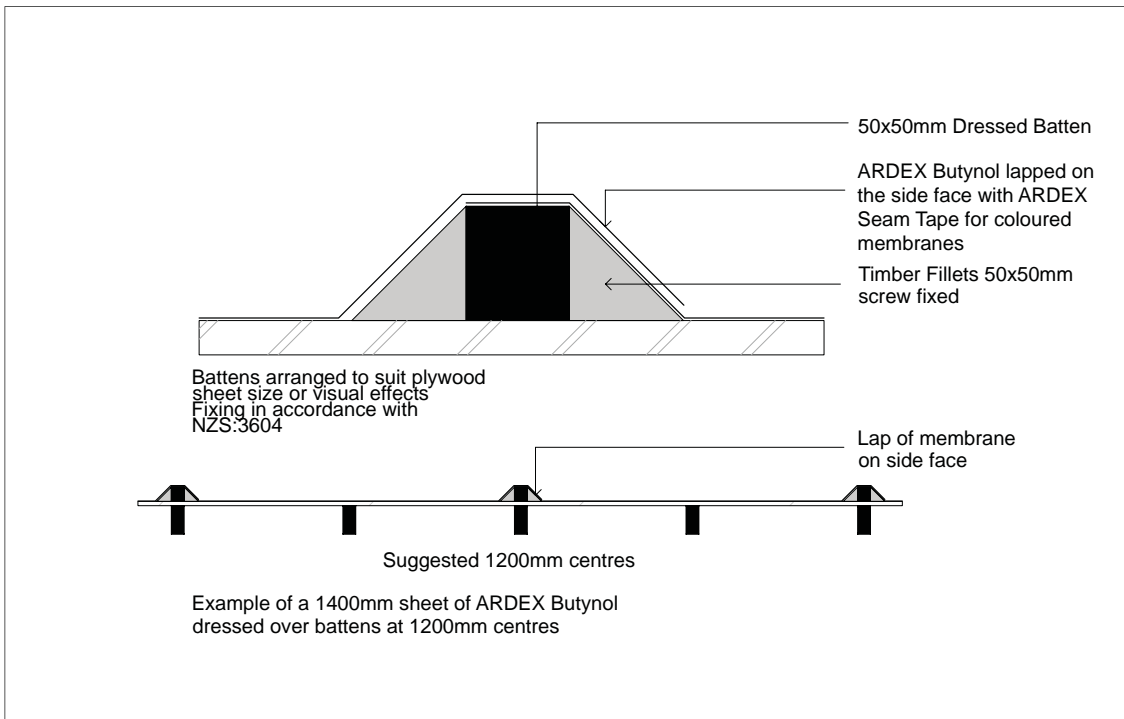
Block or Concrete parapet

ARDEX Butynol adhered with ARDEX WA98

	ARDEX BUTYNOL Boxed Gutter and Parapet Downturn	No.: ab-002	Systems All



	ARDEX BUTYNOL	No.: ab-003	Systems All
	Internal Gutter		



	ARDEX BUTYNOL	No.: ab-004	Systems All
	Recommended Batten Profile Detail		

ARDEX Butynol®

BRANZ Appraised, E2/AS1 Acceptable Solution

ARDEX Butynol to finish under wall cladding

Fillet cut on angle to allow pigs ear to lay back against vertical wall

150mm

Fillets

Without cutting ARDEX Butynol simply fold a 'pig's ear' corner as shown. The angle fold should be behind the main sheet.

NOTE: Fillets must be used on all internal corners

	ARDEX BUTYNOL Internal Corners	No.: ab-005	Systems All

SubstrateTape

ARDEX Butynol adhered with ARDEX WA98

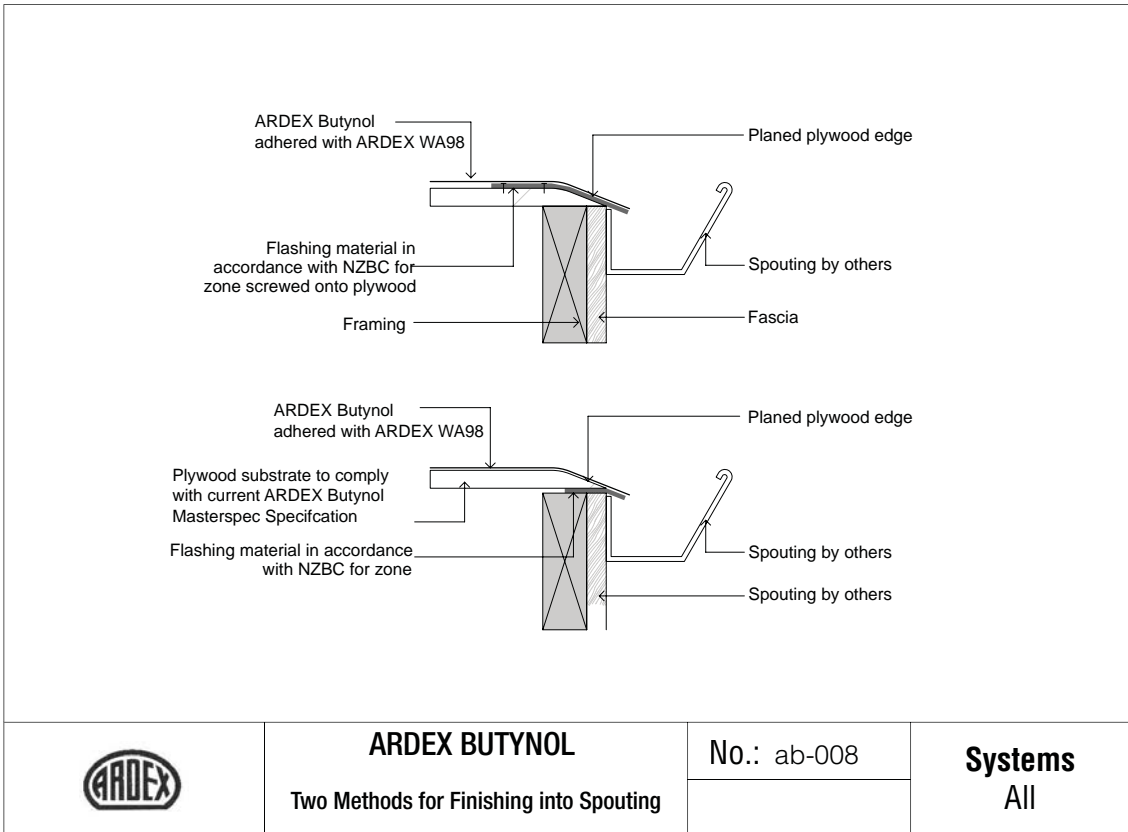
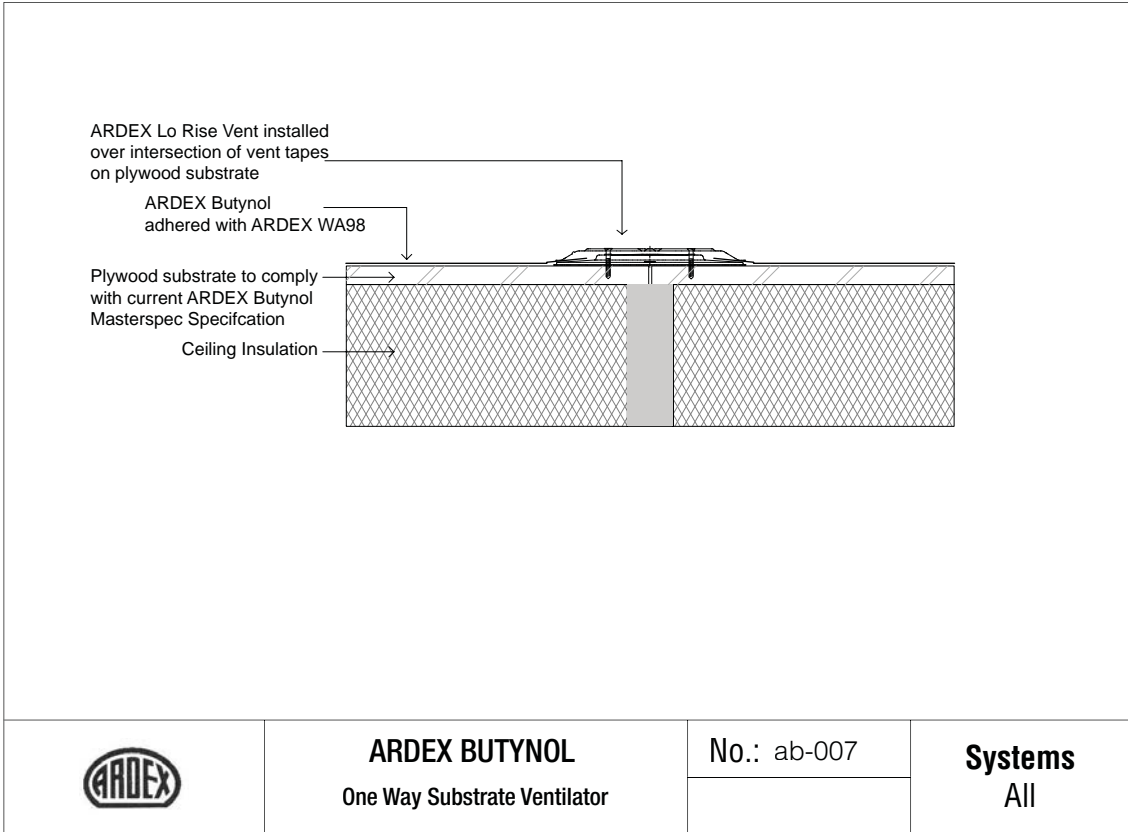
1.5mm

3mm gap

Plywood substrate to comply with current ARDEX Butynol Masterspec Specification

All joints between substrate sheets of Plywood should be taped to prevent stressing of the ARDEX Butynol in case of marked timber movement.

	ARDEX BUTYNOL Taping Substrate Sheets	No.: ab-006	Systems All



ARDEX Butynol®

BRANZ Appraised, E2/AS1 Acceptable Solution

Over flashing from rooflight, vent etc

Fillet

ARDEX Butynol adhered ARDEX WA98

Substrate

150 min

Finish in accordance with architectural plans

NOTE: 1 For maximum penetration size of 1200x1200mm
2 External corners to be formed as shown

	ARDEX BUTYNOL Roofing penetration In Membrane	No.: ab-009	Systems All

5° min.

Z (70min.)

Flashing

Sealant

ARDEX 10275 Scupper

External Rainhead with overflow

50

ARDEX Butynol adhered ARDEX WA98

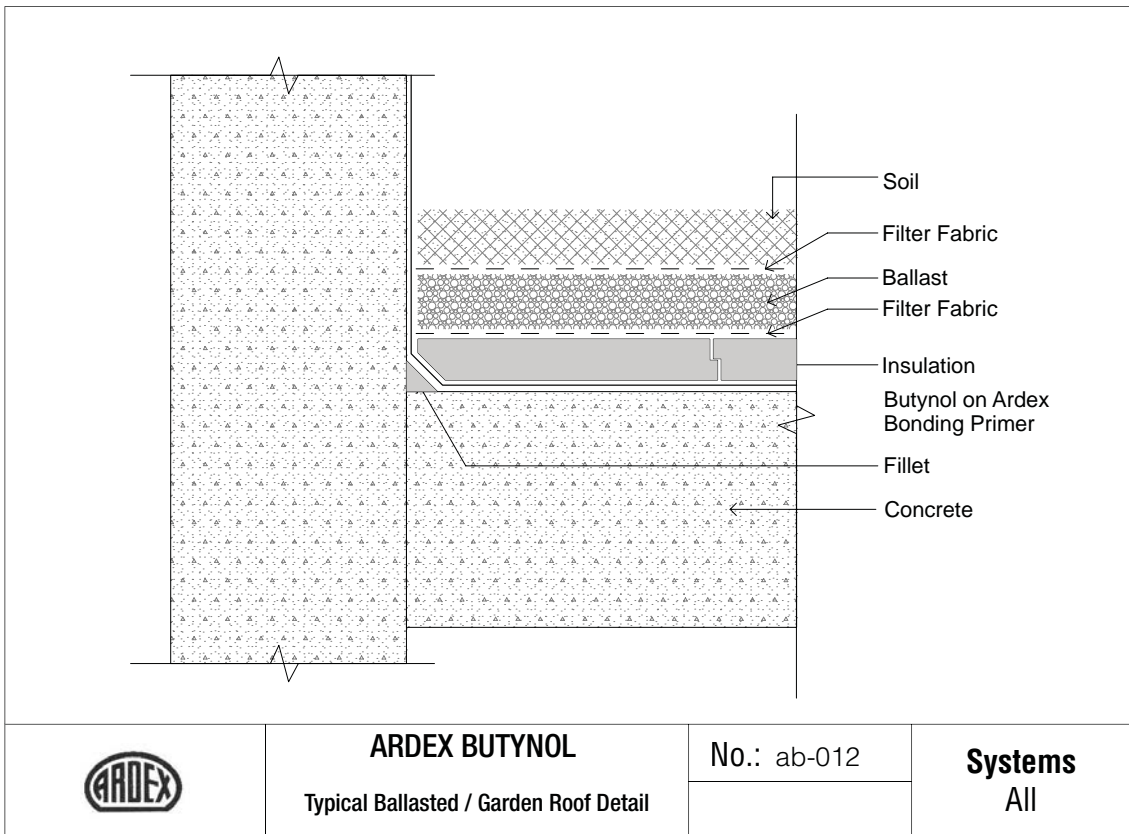
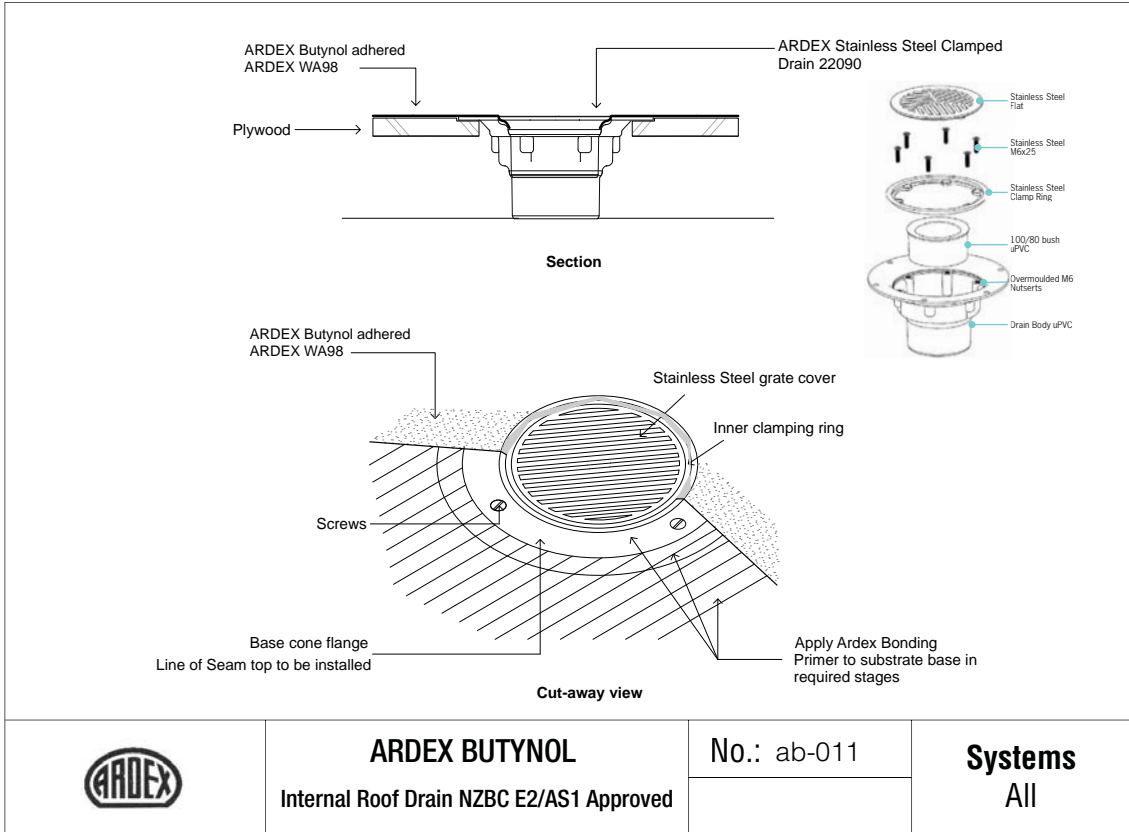
Seam Tape

ARDEX Butynol adhered ARDEX WA98

Plywood substrate to comply with current ARDEX Butynol Masterspec Specification

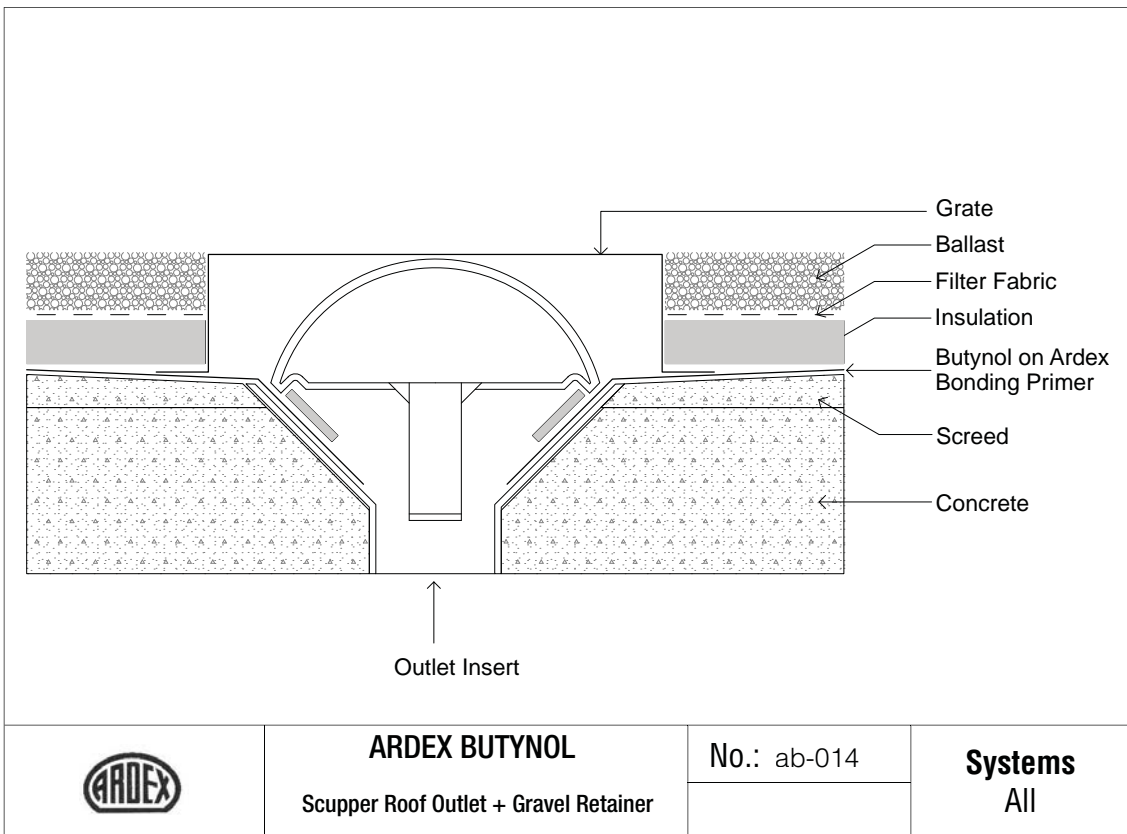
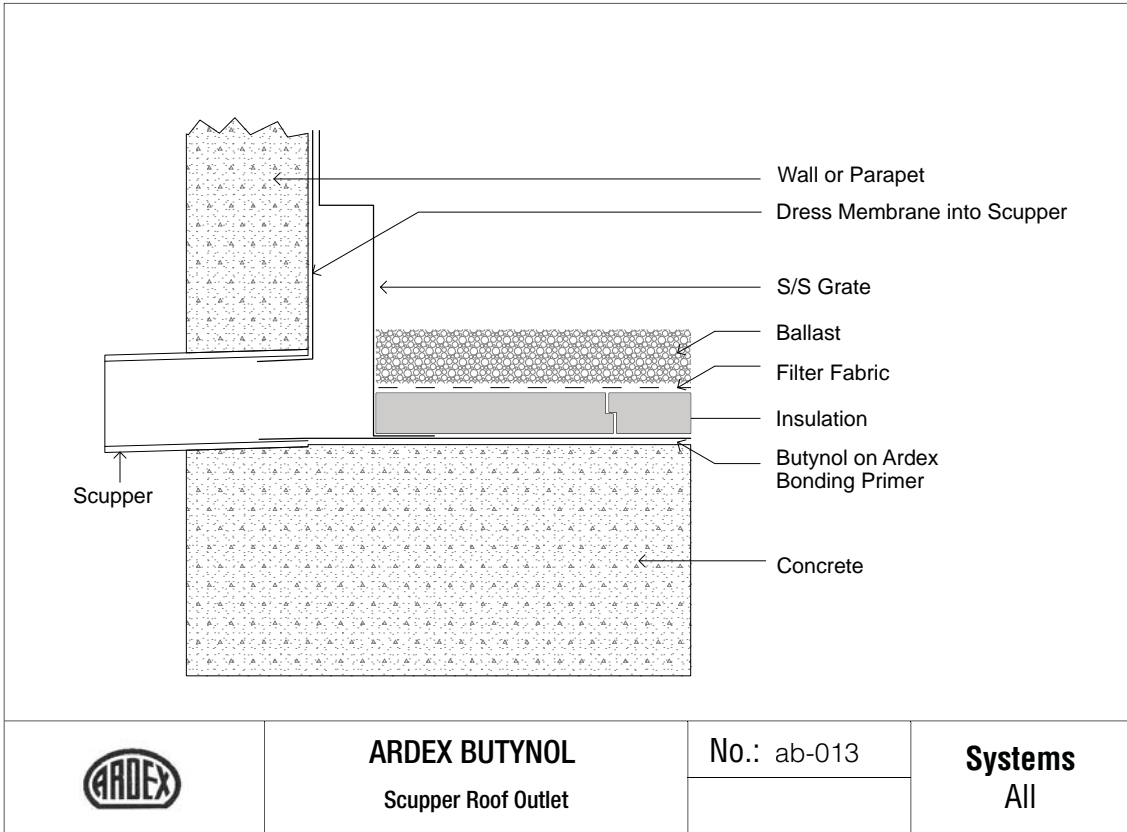
NOTE: Z = variable according to windzone

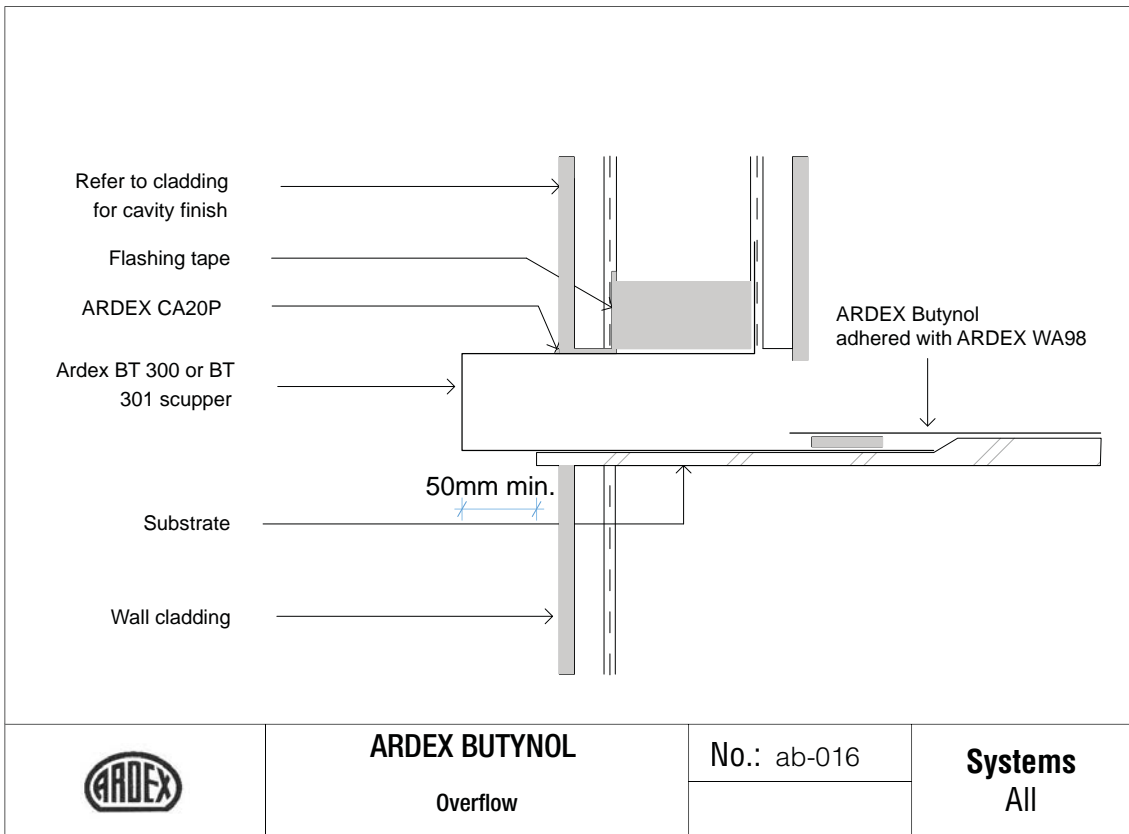
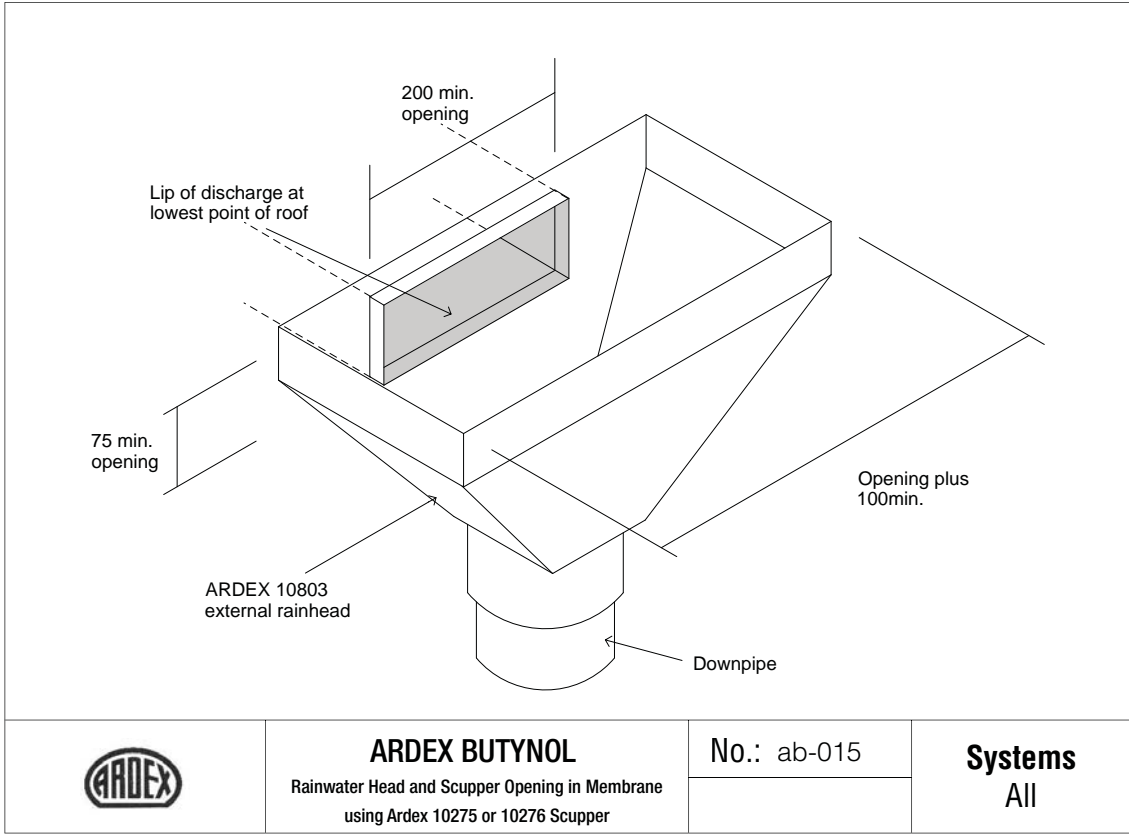
	ARDEX BUTYNOL Scupper Outlet	No.: ab-010	Systems All



ARDEX Butynol®

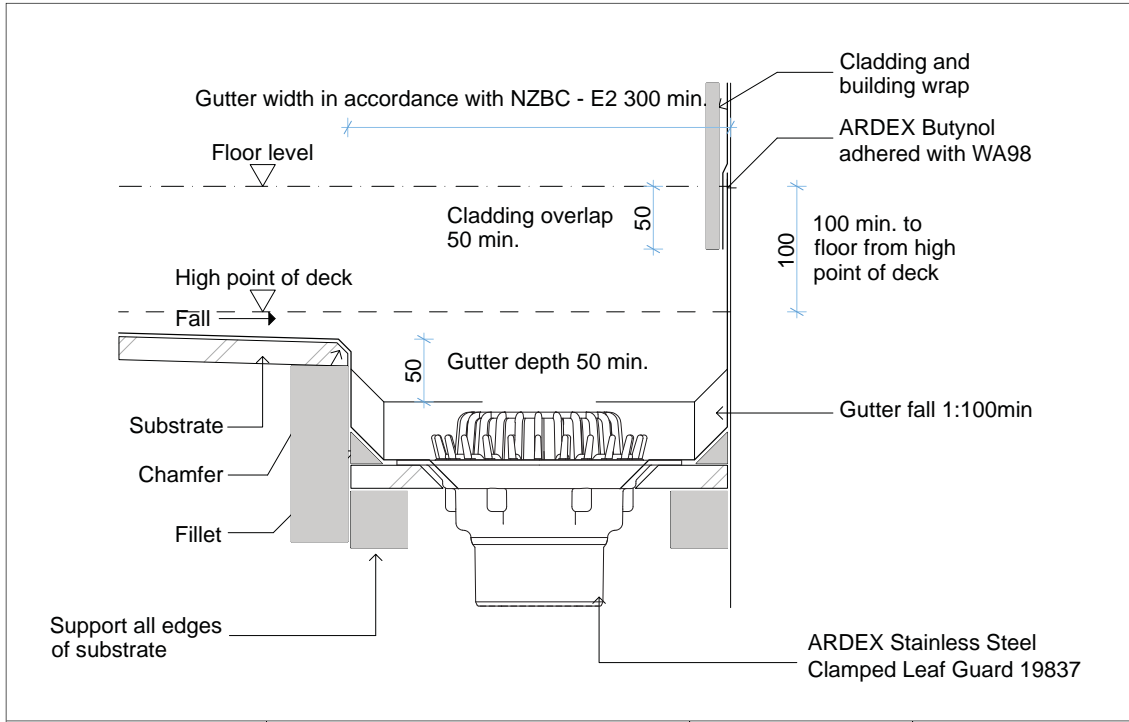
BRANZ Appraised, E2/AS1 Acceptable Solution



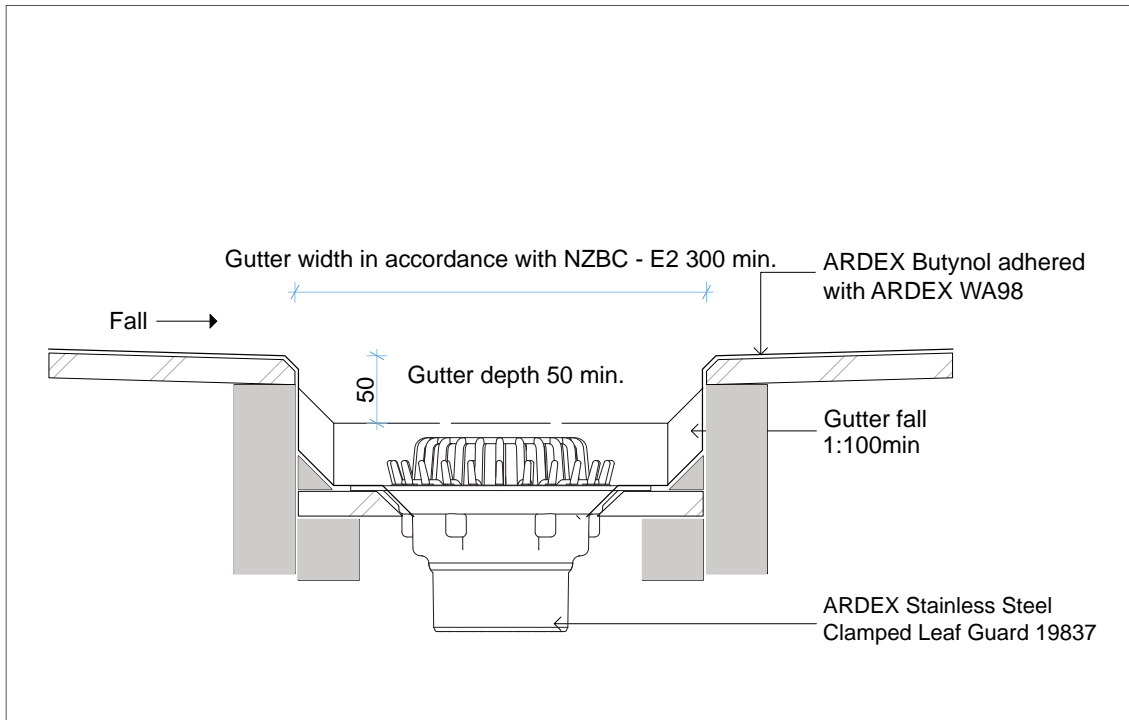


ARDEX Butynol®

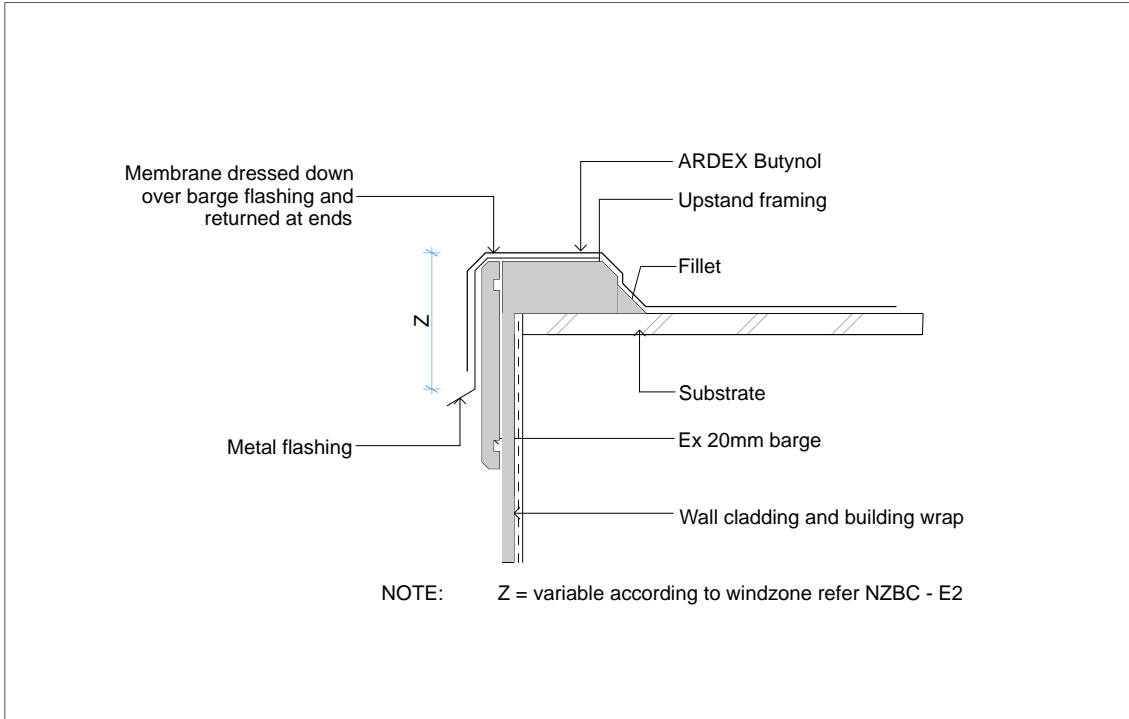
BRANZ Appraised, E2/AS1 Acceptable Solution



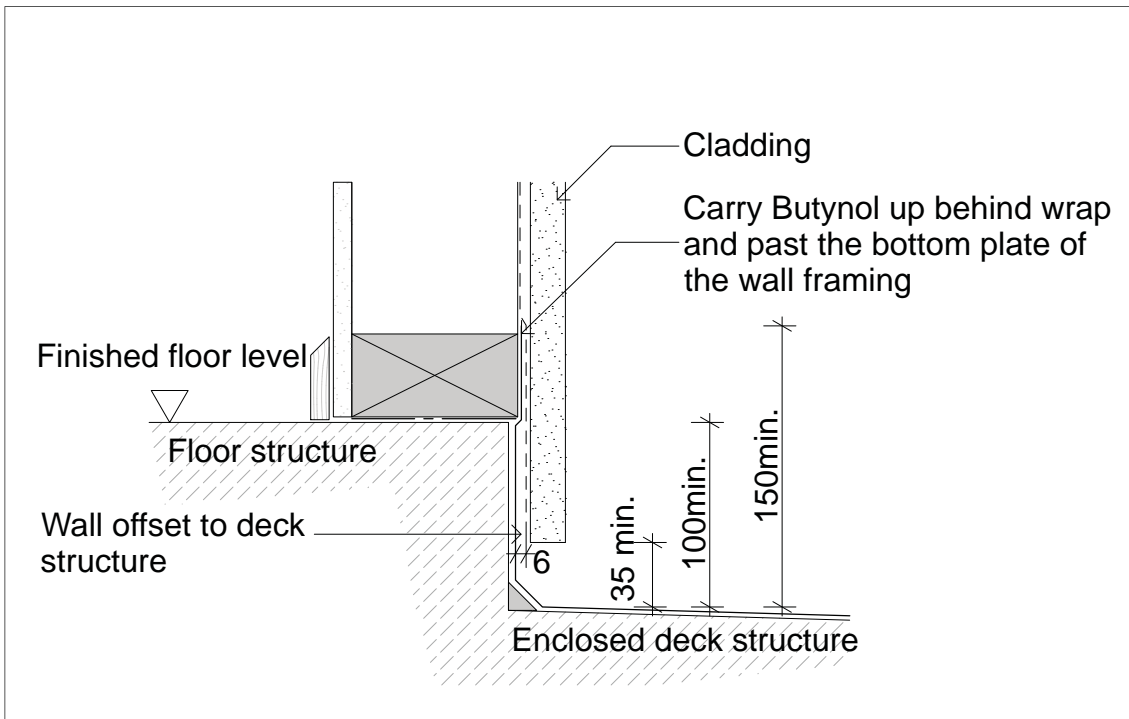
	ARDEX BUTYNOL Gutters and Outlets in Membrane	No.: ab-017	Systems All



	ARDEX BUTYNOL Central Gutter	No.: ab-018	Systems All



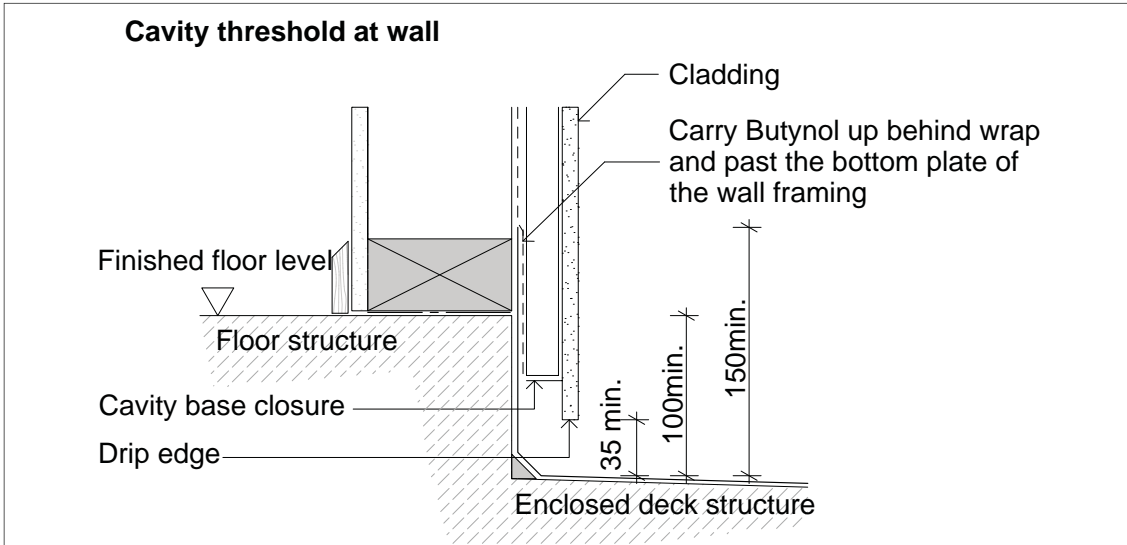
	ARDEX BUTYNOL	No.: ab-019	Systems All
	Eave and Verges in Butynol. E2/AS1 Figure 61		



	ARDEX BUTYNOL	No.: ab-020	Systems All
	Direct fix Threshold at Wall Eave and Verges in Butynol. E2/AS1 Figure 67		

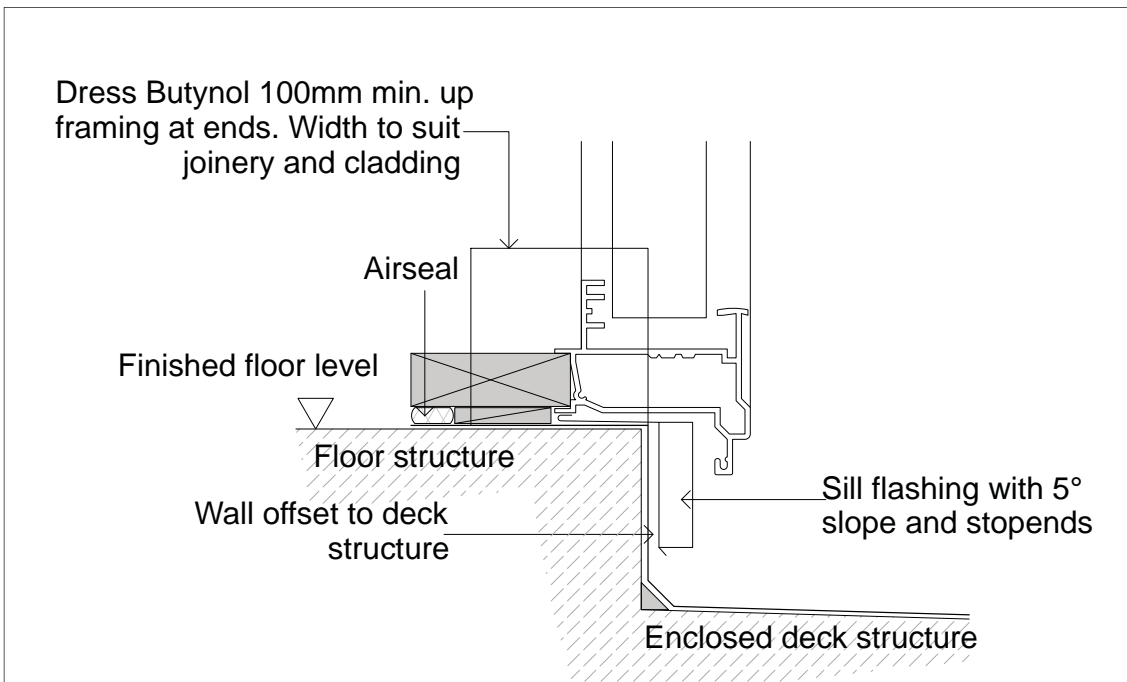
ARDEX Butynol®

BRANZ Appraised, E2/AS1 Acceptable Solution



NOTE: 1 Internal corners to be formed as per detail
 2 Dimensions are shown to Butynol. However, where there is additional material applied over the Butynol all dimensions shall apply to the highest level of the wearing surface

	ARDEX BUTYNOL	No.: ab-021	Systems All
	Cavity Threshold at Wall Eave and Verges in Butynol. E2/AS1 Figure 62		



	ARDEX BUTYNOL	No.: ab-022	Systems All
	Direct Fix Threshold at Opening Eave and Verges in Butynol. E2/AS1 Figure 62		

