

ARDEX WELDTEC

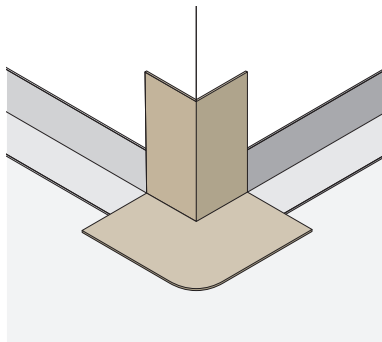
WATERPROOFING MEMBRANES



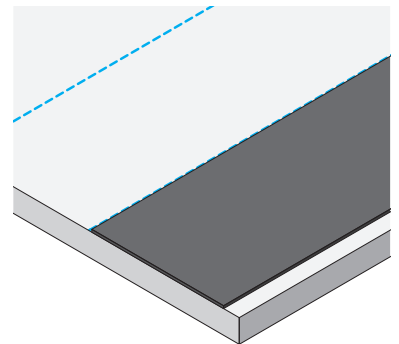
For further information, presentations and tutorials on how to install WeldTec™ waterproofing membranes please get in touch with the ARDEX Team.

1. Install external corners by adhering 100mm flashing to the corner as shown.

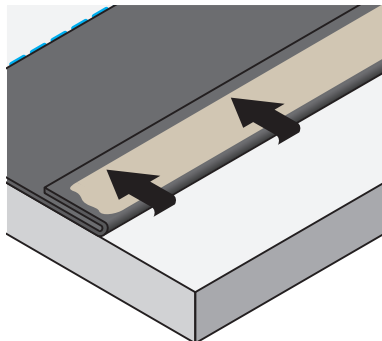
Note: Fillets must be used on all internal corners. Must not be nailed.



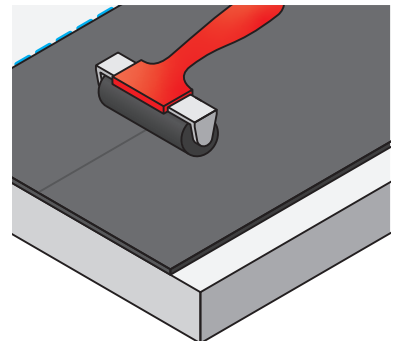
2. When laying out the WeldTec™ membrane accurately place the membrane and mark spacing with a chalk line. Remember to allow for overlap.



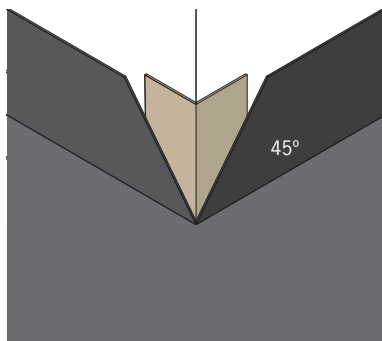
3. Fold back half the membrane and apply adhesive to both faces. Ensure no adhesive is applied in welded seam area.



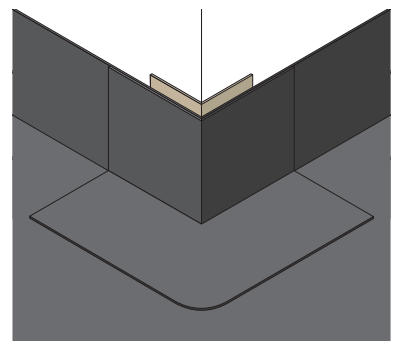
4. After flash off, fold the membrane into place then roll thoroughly. Repeat these steps as needed for full coverage.



5. Adhere WeldTec™ membrane to the floor and up the wall with a minimum cut height of 150mm. Cut membrane from corner at 45° as shown.



6. Cover corner point with a layer of detail tape.



To find out more call 0800 227 339 or visit www.ardex.co.nz

Download the ARDEX app



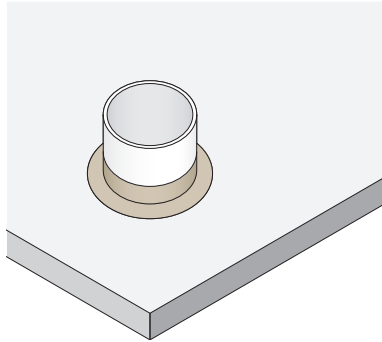
search for: 'ARDEX New Zealand'



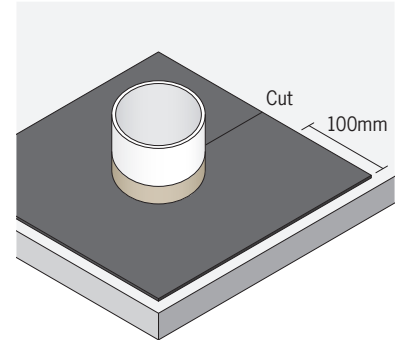
WeldTec™

FLASHING EXISTING PIPE

1. Flash existing pipes with 100mm.

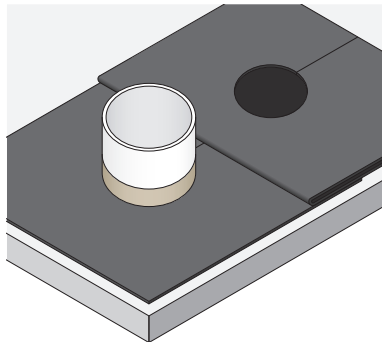


2. Adhere to WeldTec™ membrane past pipe for 100mm.



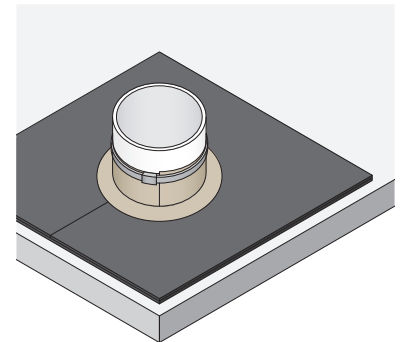
3. Adhere the rest of the WeldTec™ membrane to overlap the base sheet beyond pipe for 100mm.

Cut round hole 20mm smaller than diameter of pipe.



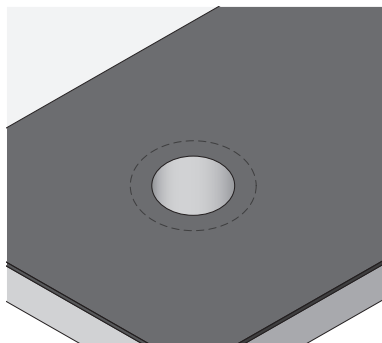
4. Apply collar of WeldTec™ Detail Tape. Do not stretch strip. Finish with stainless steel clamp.

Note: When flashing Weldtec™ membrane, use Weldtec™ Detail Tape.

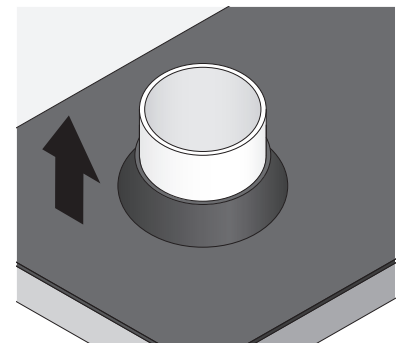


FLASHING NEW PIPE

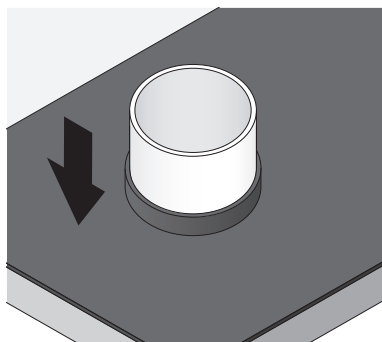
1. Flash new pipes by cutting a smaller diameter hole in the WeldTec™ membrane than the width of the pipe.



2. Raise the pipe through the smaller diameter hole in the WeldTec™ membrane forcing the edges upwards.

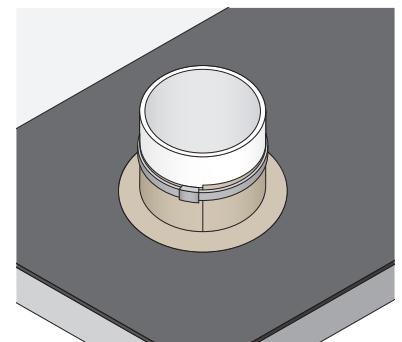


3. Pull the pipe back down 10mm to pull the membrane down and eliminate any voids.



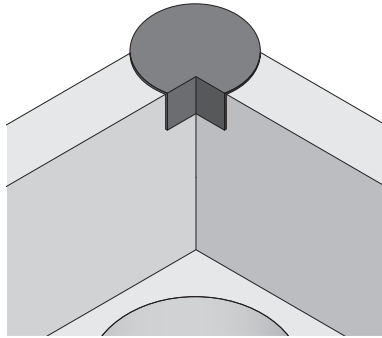
4. After pulling pipe down tape upstanding WeldTec™ to pipe using WeldTec™ Detail Tape. Finish with stainless steel clamp.

Note: Cover strip must be WeldTec™.

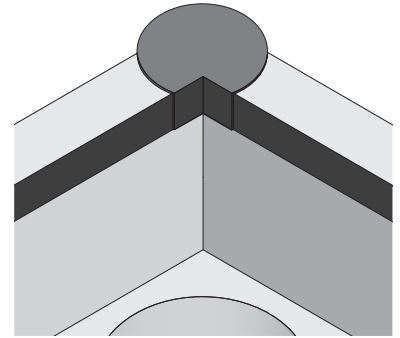


INTERNAL CORNERS FOR NON-WELDABLE RAINHEADS

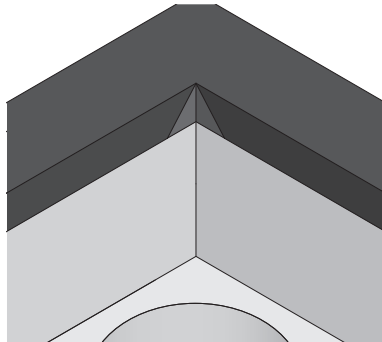
1. Apply ARDEX Flashing Tape over rainhead and plywood.



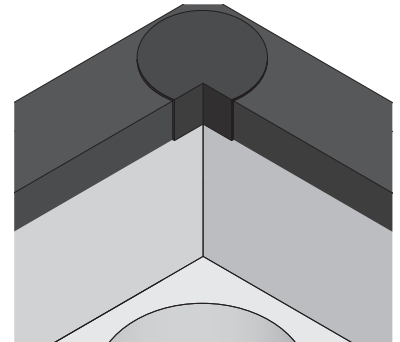
2. Run ARDEX Seam Tape along all four vertical sides of rainhead.



3. Cut WeldTec™ membrane to fit into corners.

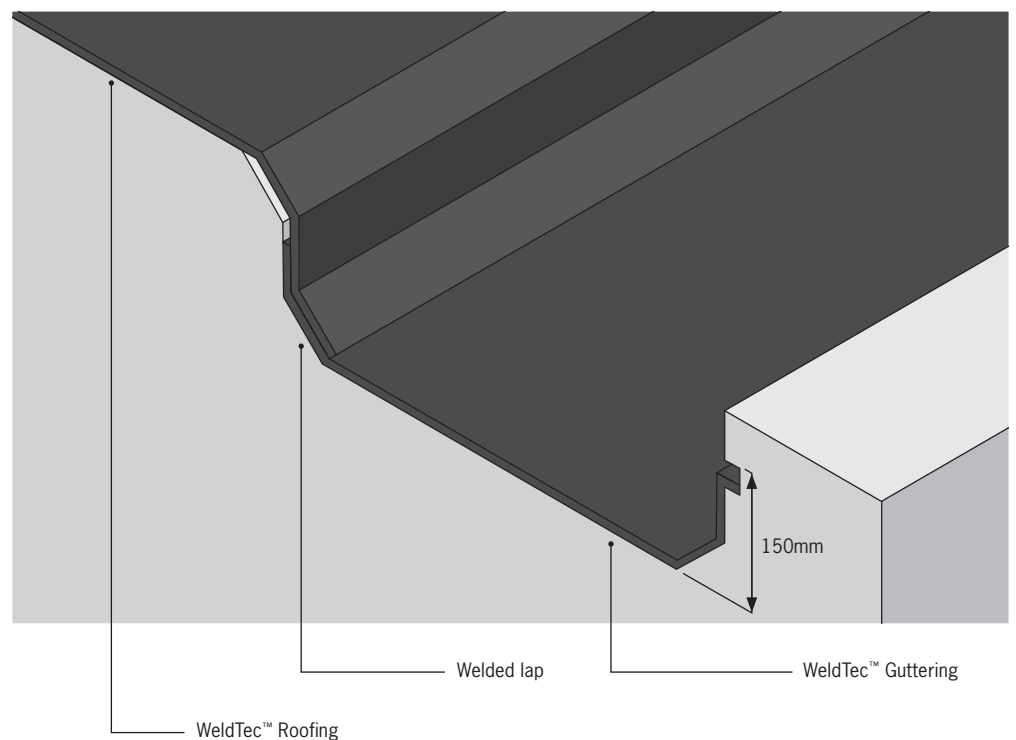


4. Cover corner point with layer of WeldTec™ Detail Tape.



FORMING LAPS FOR GUTTERS

- 1 Laps are most important in gutter work and should be formed using ARDEX Seam Tape and ARDEX WPM 299 Seam Primer. All internal boxed gutters can be easily formed to any shape or size using WeldTec™ membrane over any specified substrate.



BONDING THE LAPS

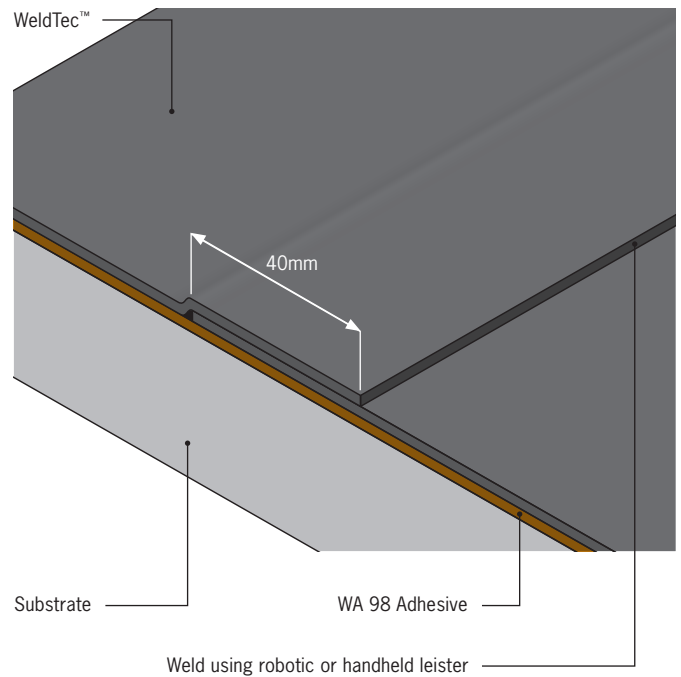
Heat Welders must be used for all WeldTec™ joints.

- 1 Prior to welding, a quality assurance weld is to be completed and documented to ensure optimal welding temperature and speed. Shear testing shall be carried out throughout the course of the day and every time the welder is restarted.

A photo should be taken of the test and shall include:
Project, Area, Date and Time.

2. Optimal Weld temperatures:
 - Leister Triac AT: 460 degrees
 - Leister Robot - Check with ARDEX Technical staff

Laps shall be checked after cooling using handheld pick prior to flood testing (if applicable). ARDEX WPM 717 end laps shall be butt jointed and a cover strip of 100mm WPM 710 Detail Tape welded over.



MADE IN NZ – QUALITY YOU CAN TRACE AND TRUST

ARDEX WeldTec™ Waterproofing Membranes contain TPO technologies and are the only products featuring ImpervaShield technology, offering great flexibility and versatility combined with all the benefits of welded seams and quick application.

- Lower emissions during application
- Available in a range of thicknesses and shades
- Extremely strong with a long life and a 20 year warranty
- Weldable detailing for a strong, continuous barrier
- Range of products to meet a range of needs
- Resists tearing, flex cracking, bubbling and absorption.
- Easy, weld-on application
- Recyclable

0800 227 339
www.ardex.co.nz



Date Issued: 15/09/2025
Expires By: 15/09/2027

V.1. September 2025.