

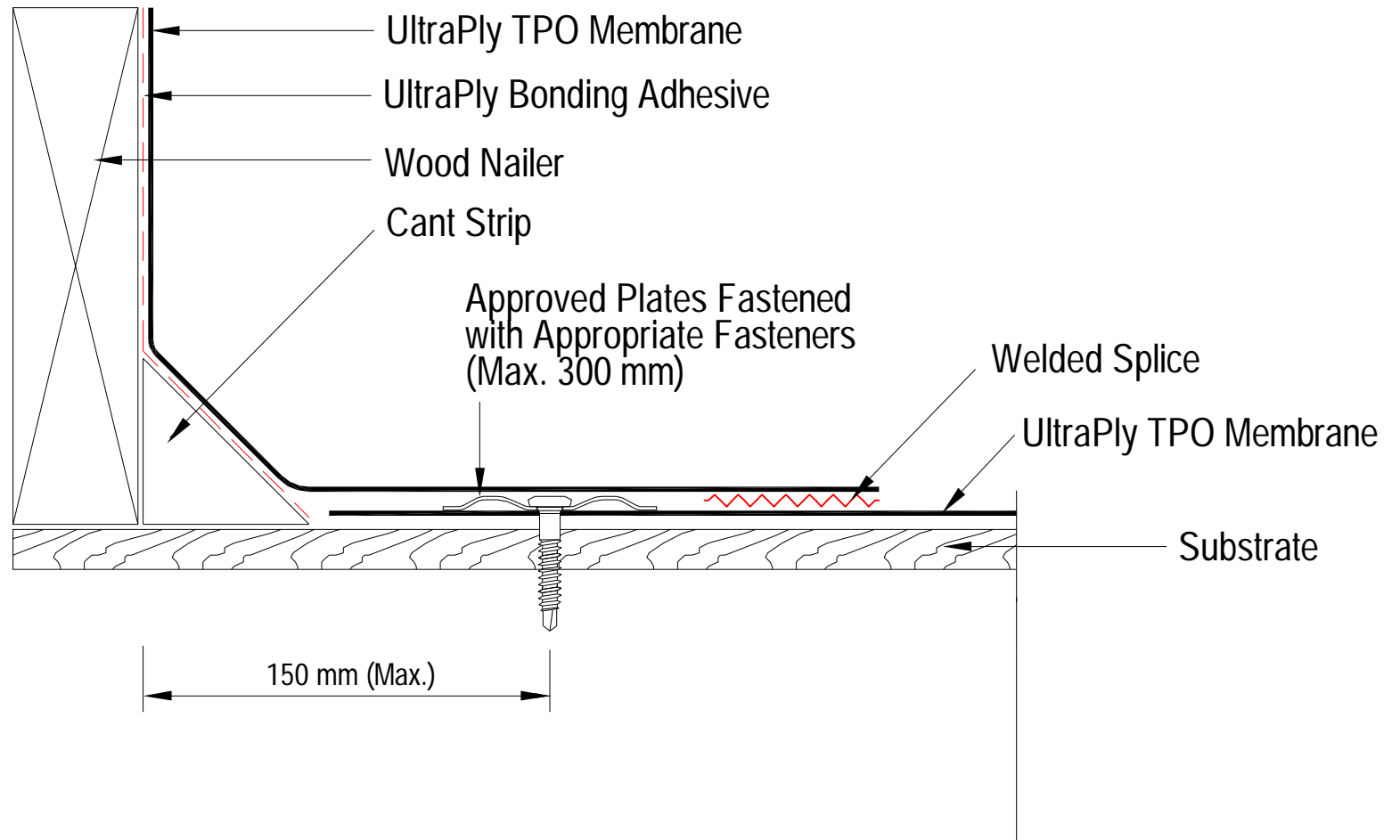
11/07/2024

UltraPly TPO
Base Tie-In
with Plates Fastened to Deck

No.:

Systems

All



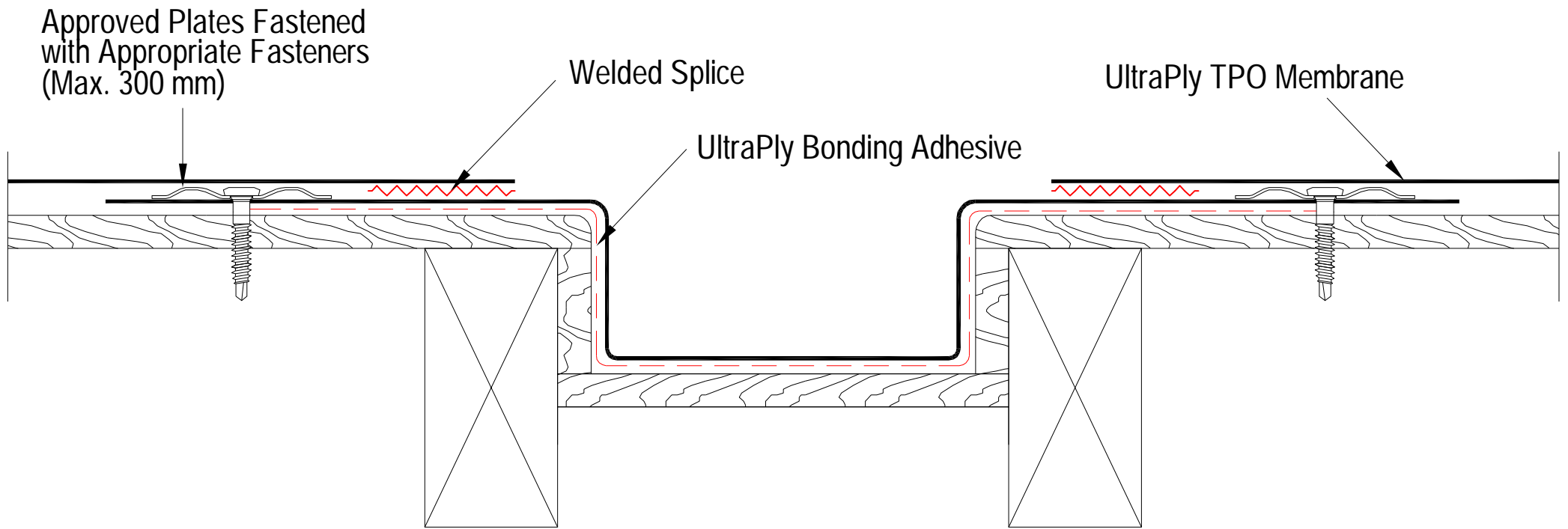
11/07/2024

UltraPly TPO
Base Tie-In at
Upstand with Existing Cant

No.:

Systems

All



Approved Plates Fastened
with Appropriate Fasteners
(Max. 300 mm)

Welded Splice

UltraPly TPO Membrane

UltraPly Bonding Adhesive

11/07/2024

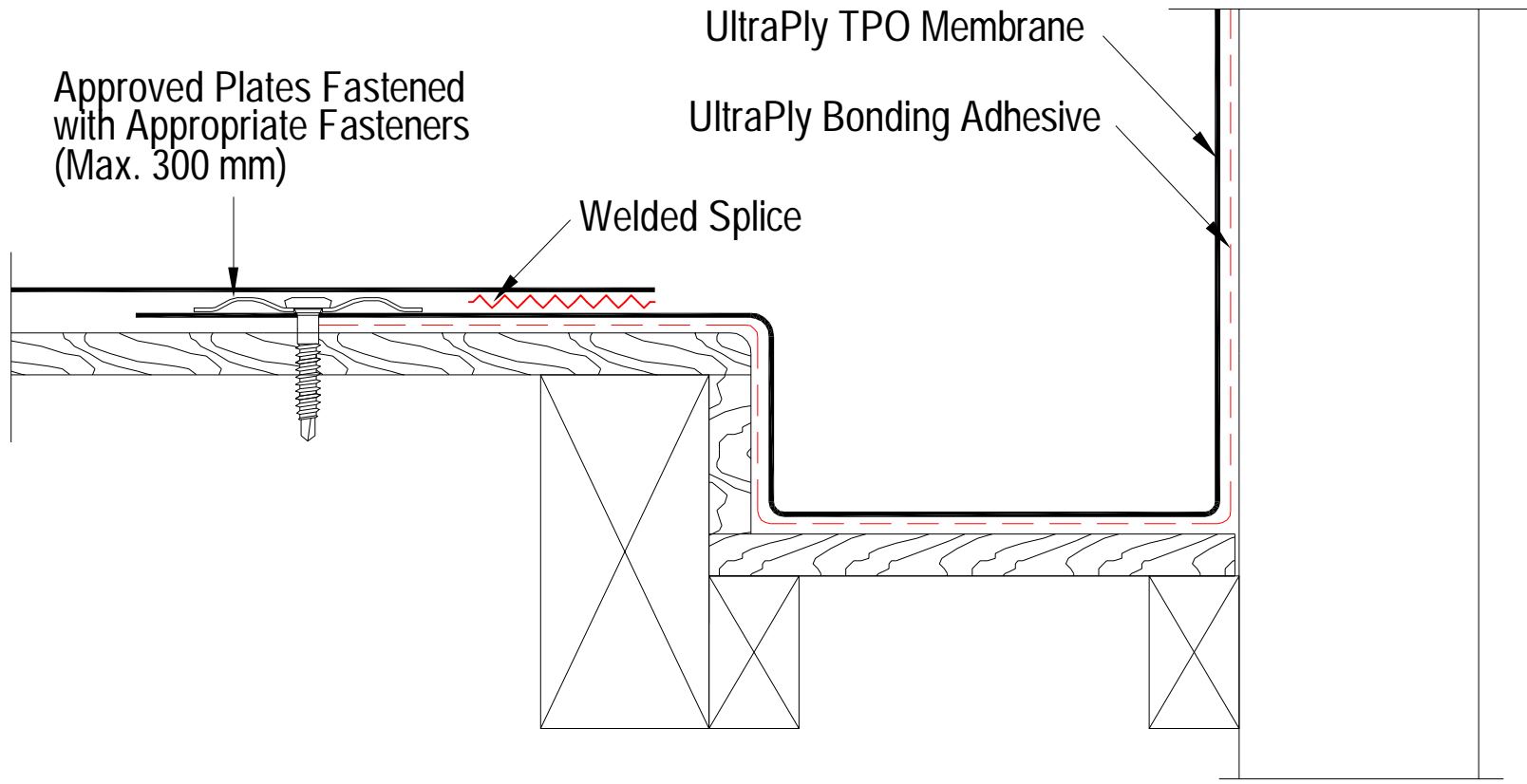
UltraPly TPO

Internal Gutter

No.:

Systems

All

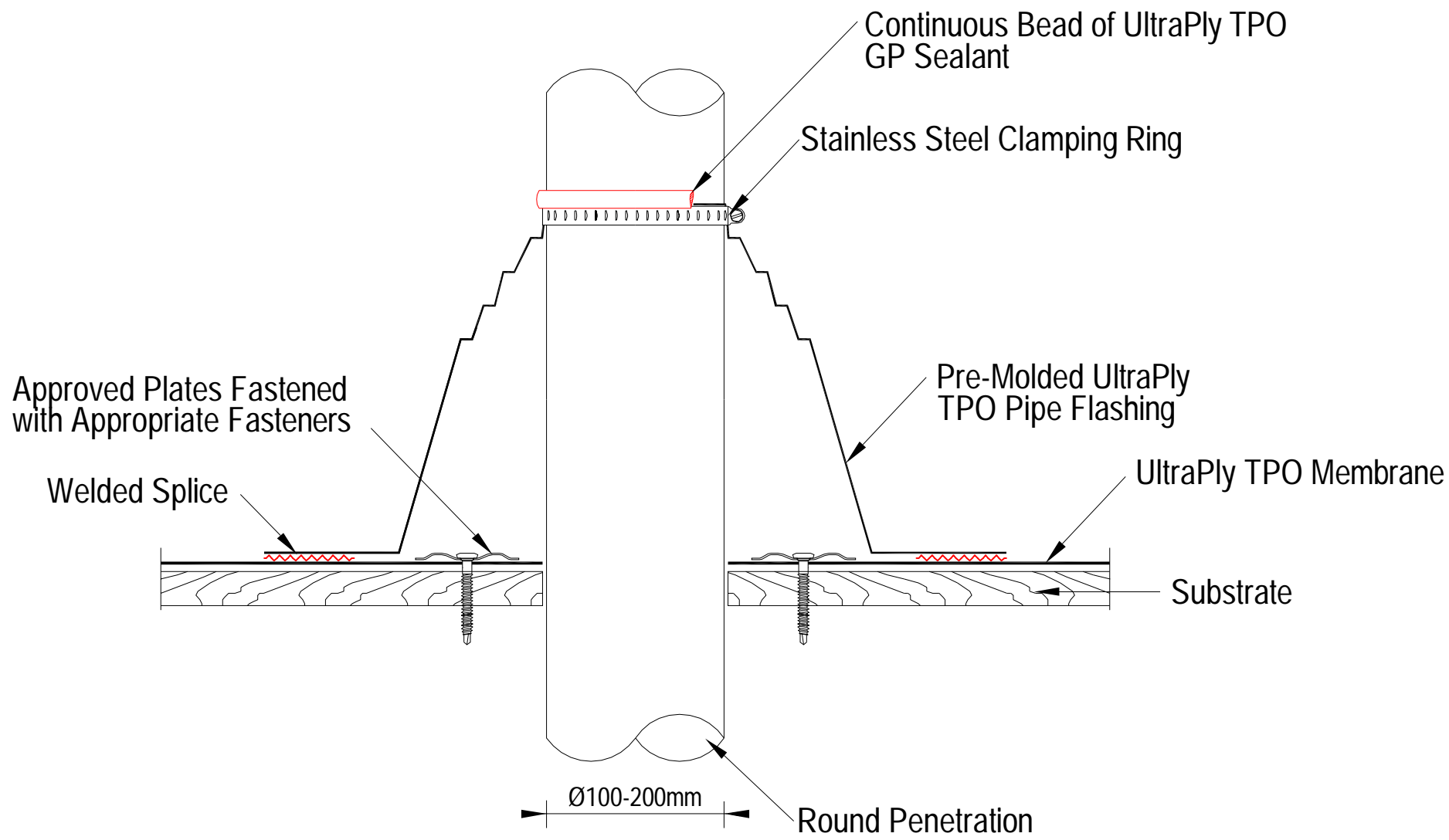


11/07/2024

UltraPly TPO
Parapet Gutter

No.:

Systems
All

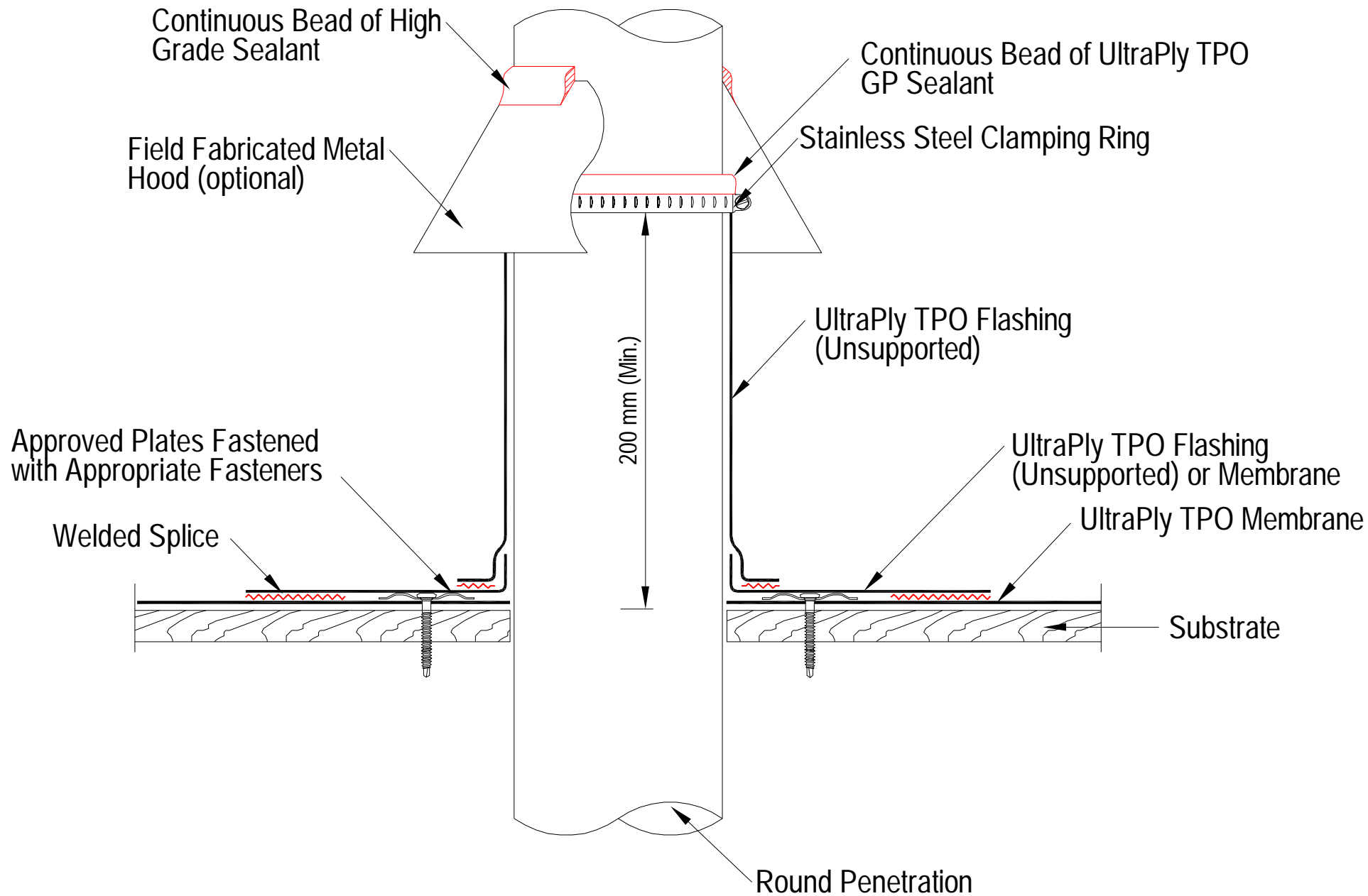


11/07/2024

UltraPly TPO
 Penetration With UltraPly TPO
 Large Pipe Flashing

No.:

Systems
 All



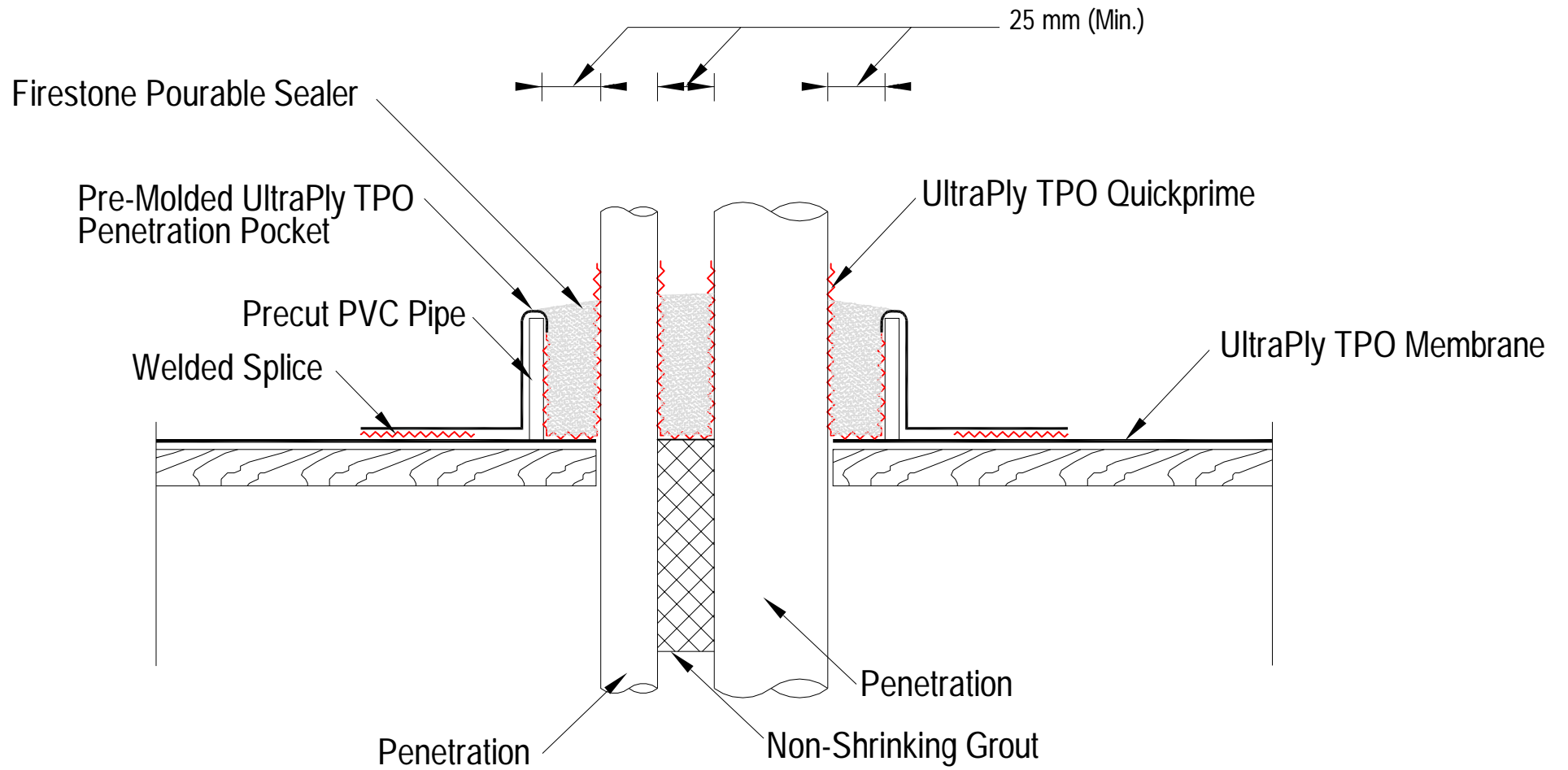
11/07/2024

UltraPly TPO
 Penetration With UltraPly TPO
 Flashing (Unsupported)

No.:

Systems

All



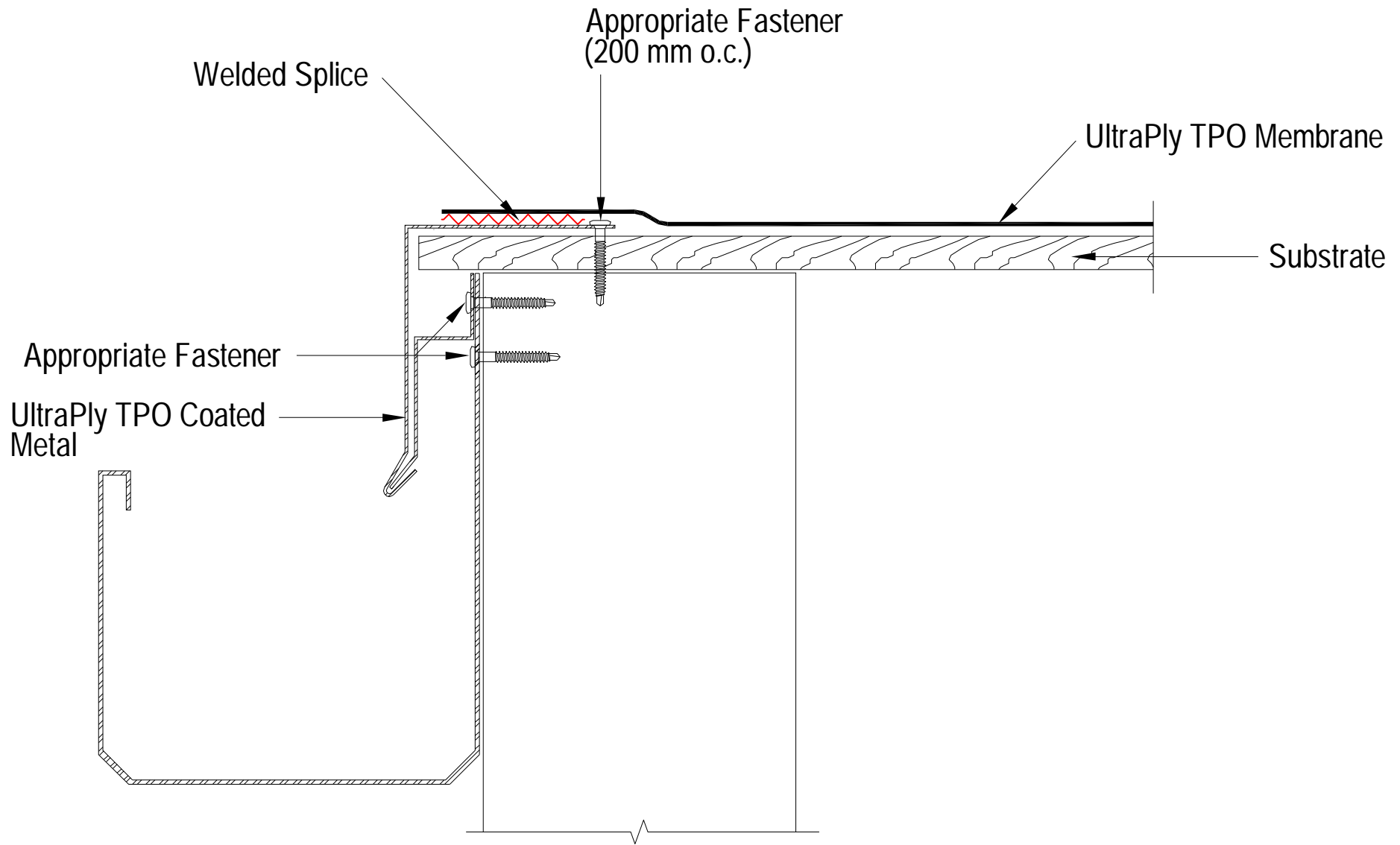
11/07/2024

UltraPly TPO
 Penetration With TPO Penetration
 Pocket Kit

No.:

Systems

All



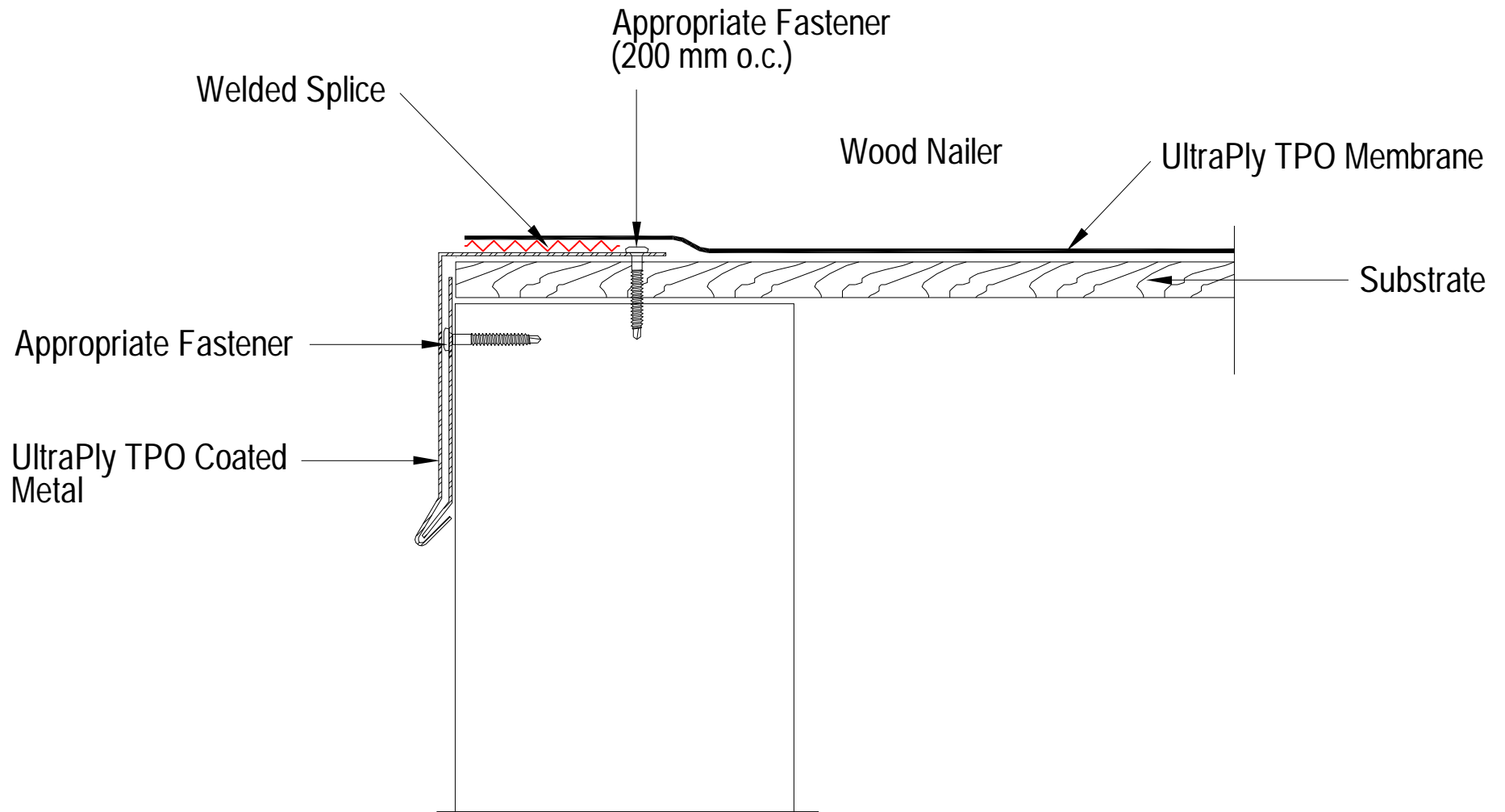
11/07/2024

UltraPly TPO
 Roof Edge Gutter with
 UltraPly TPO Coated Metal

No.:

Systems

All



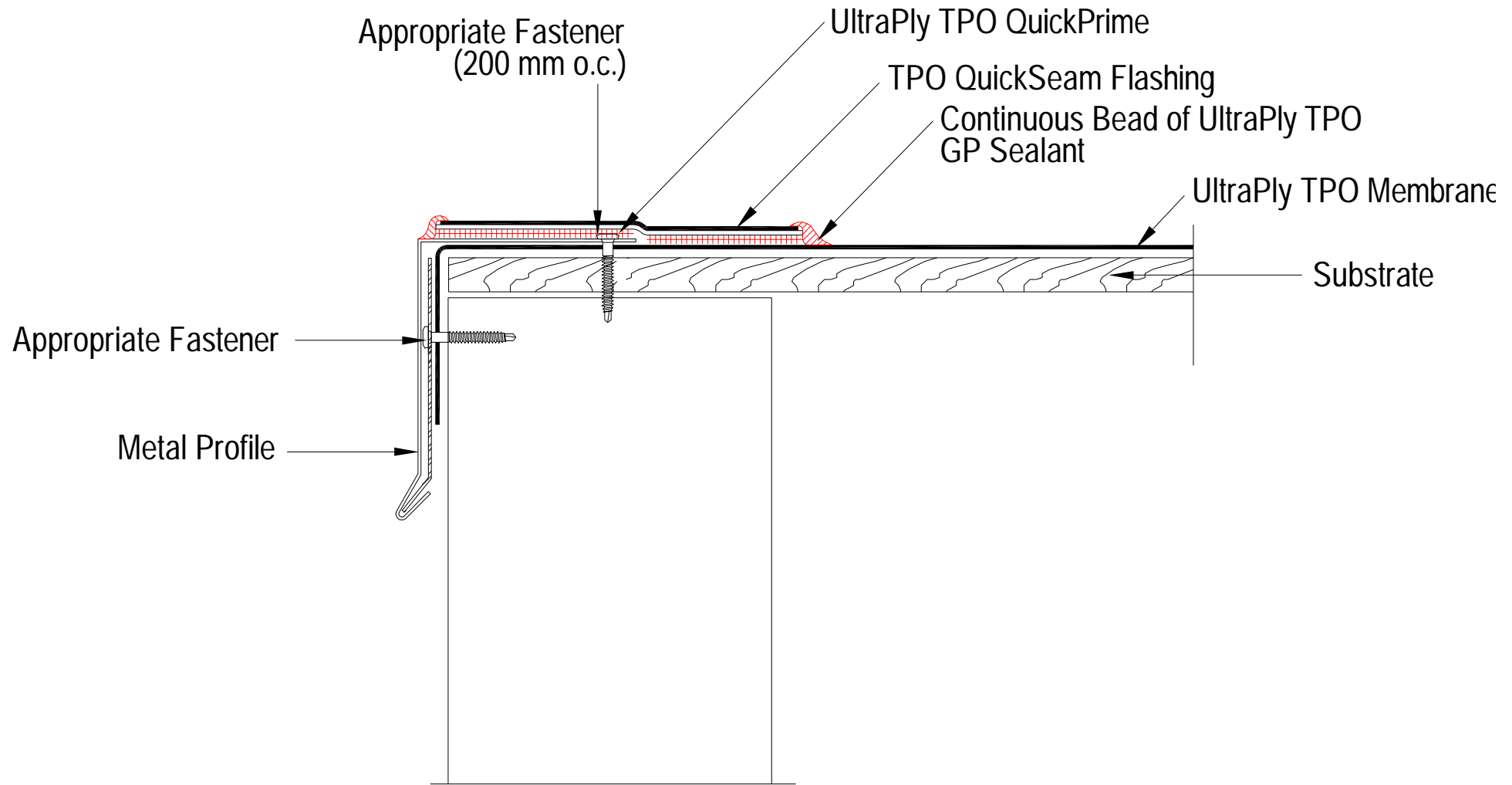
11/07/2024

UltraPly TPO
 Roof Edge with
 UltraPly TPO Coated Metal

No.:

Systems

All



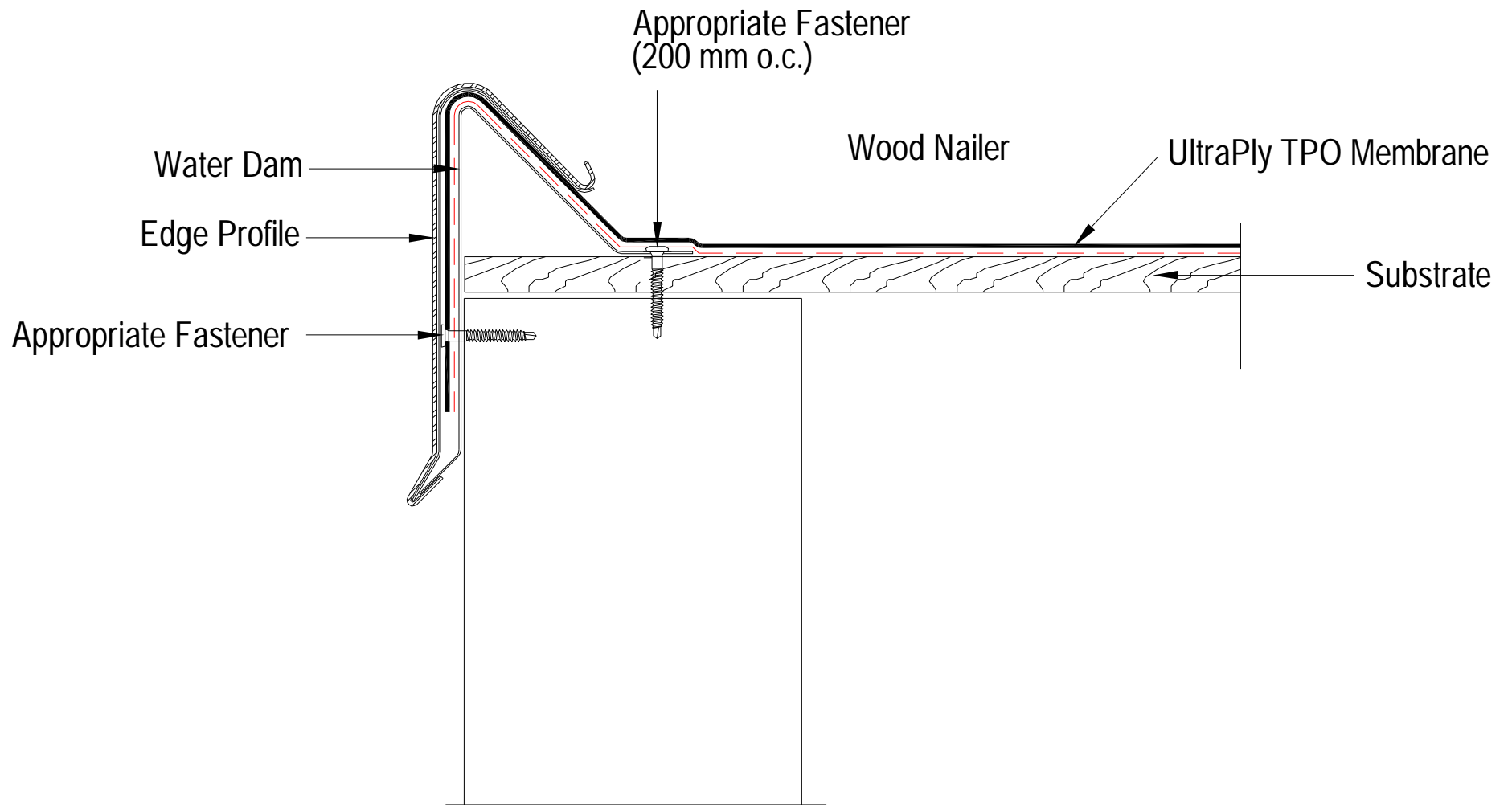
11/07/2024

UltraPly TPO
 Roof Edge using TPO QuickSeam
 Flashing

No.:

Systems

All

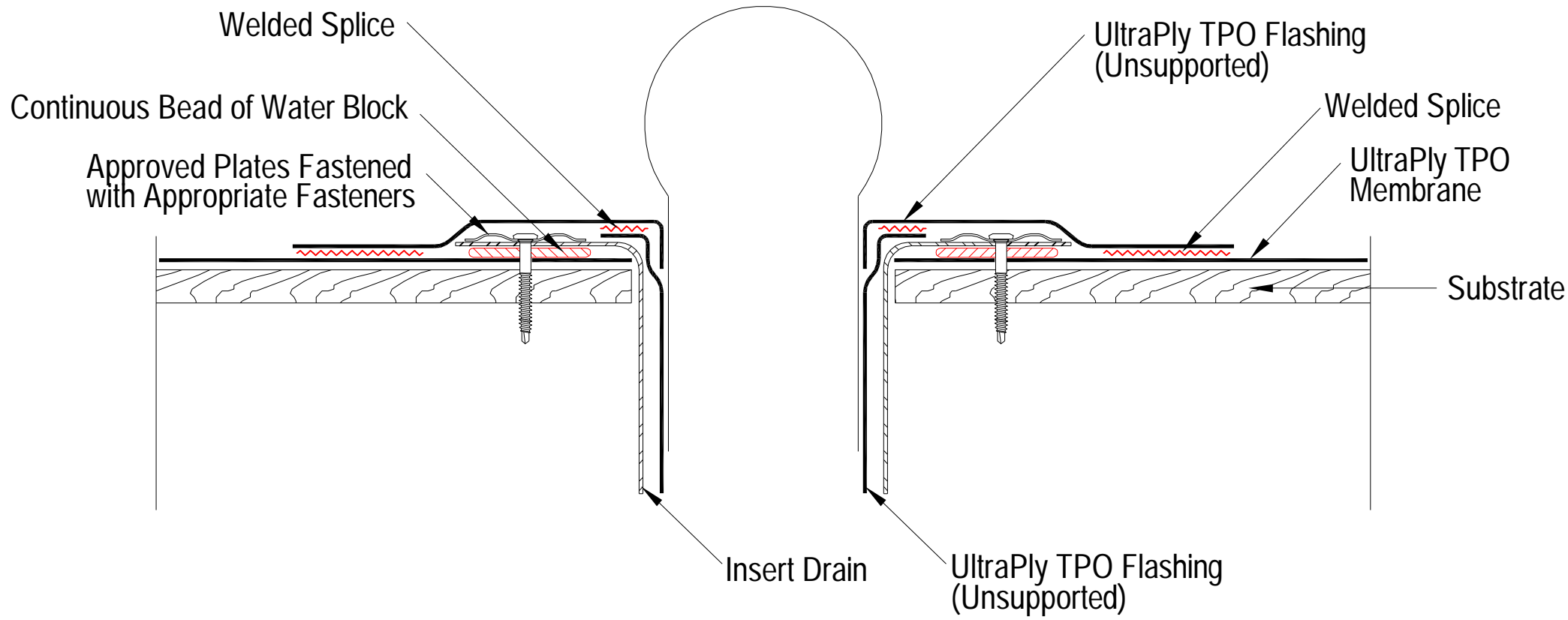


11/07/2024

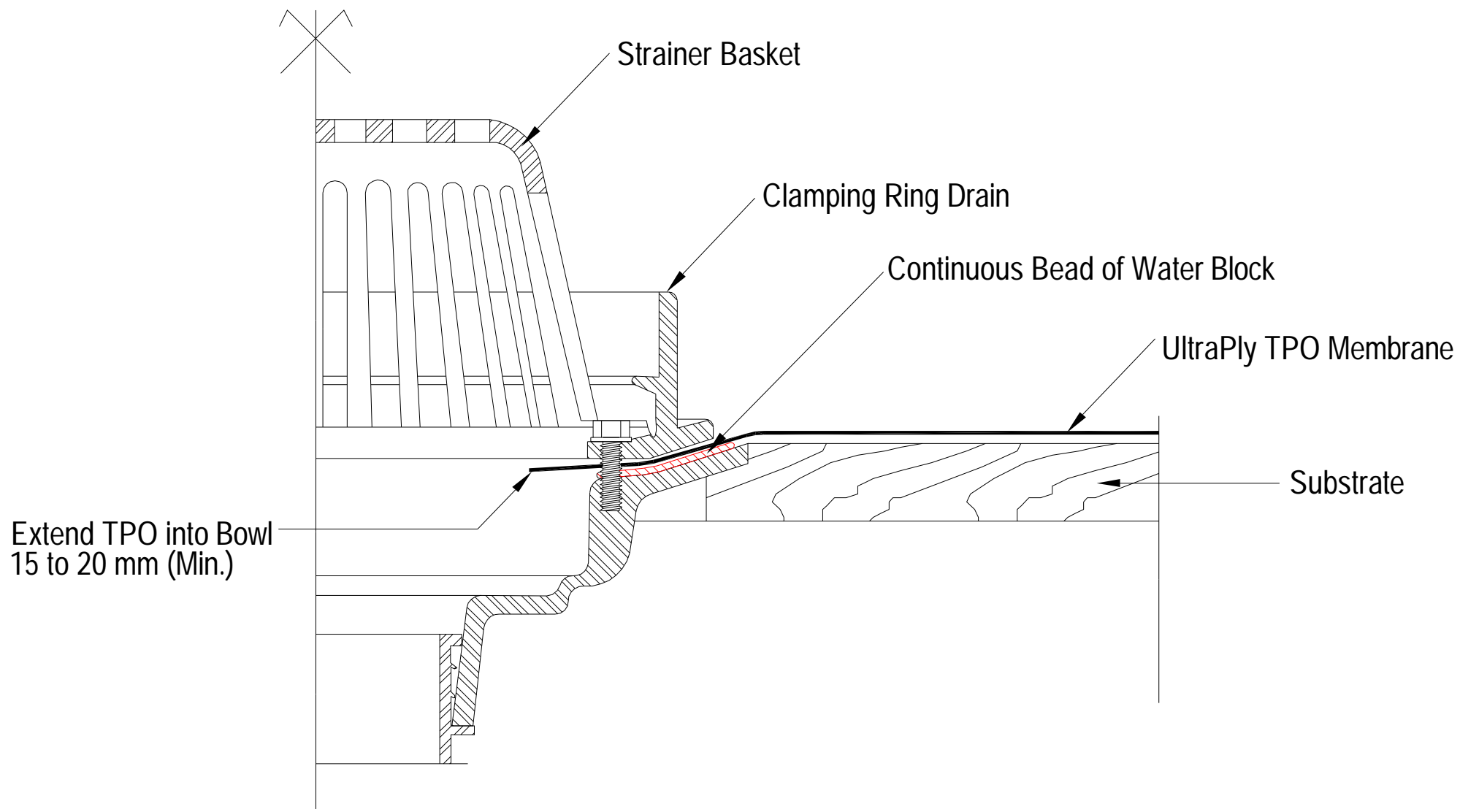
UltraPly TPO
 Roof Edge with
 Edge Profile

No.:

Systems
 Adhered

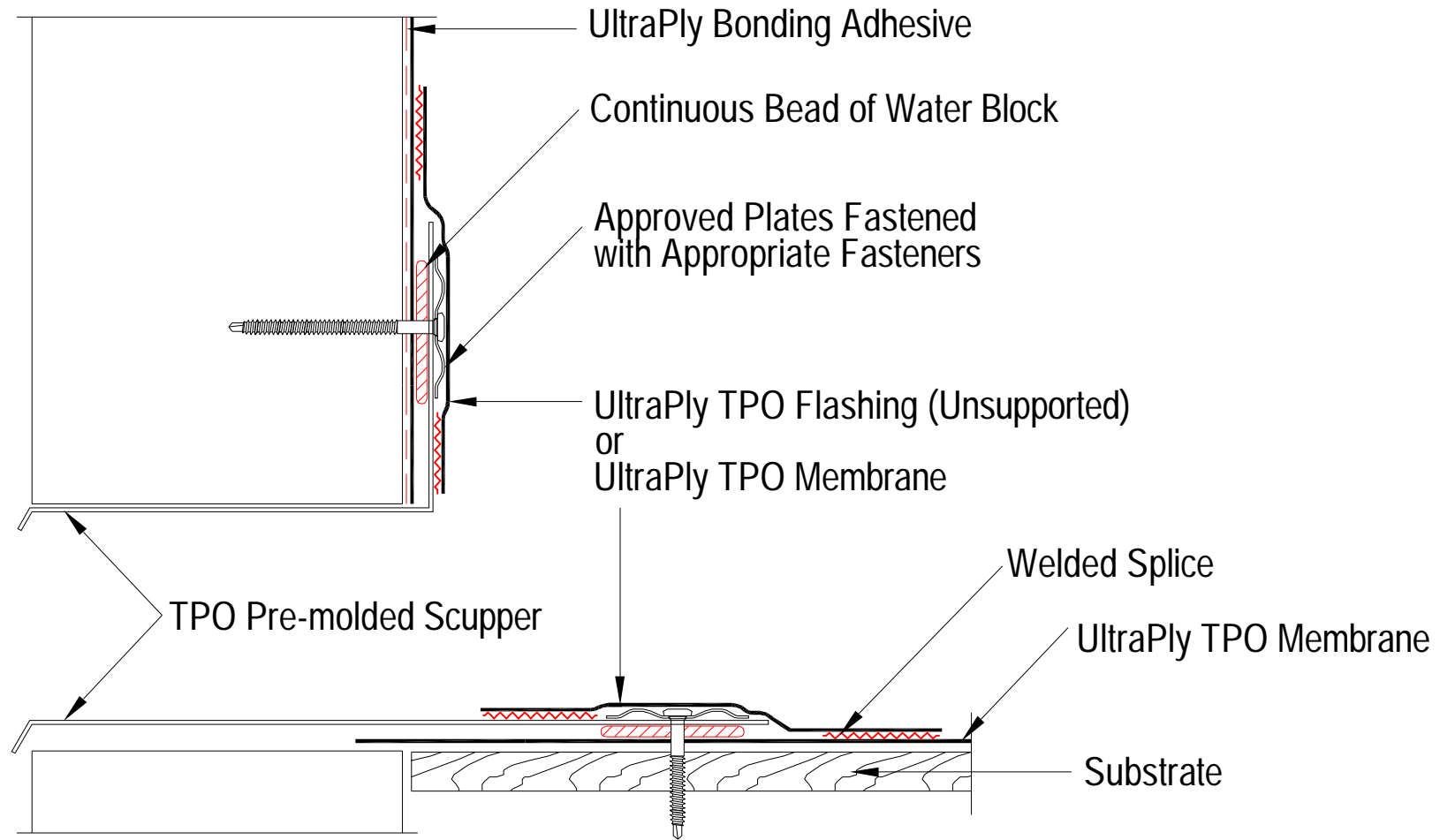


11/07/2024	UltraPly TPO Field Fabricated Roof Drain	No.:	Systems All



Note: Maximum slope to Drain is 1:12.

<p>11/07/2024</p>	<p>UltraPly TPO Drain with Clamping Ring</p>	<p>No.:</p>	<p>Systems</p>
		<p></p>	<p>All</p>



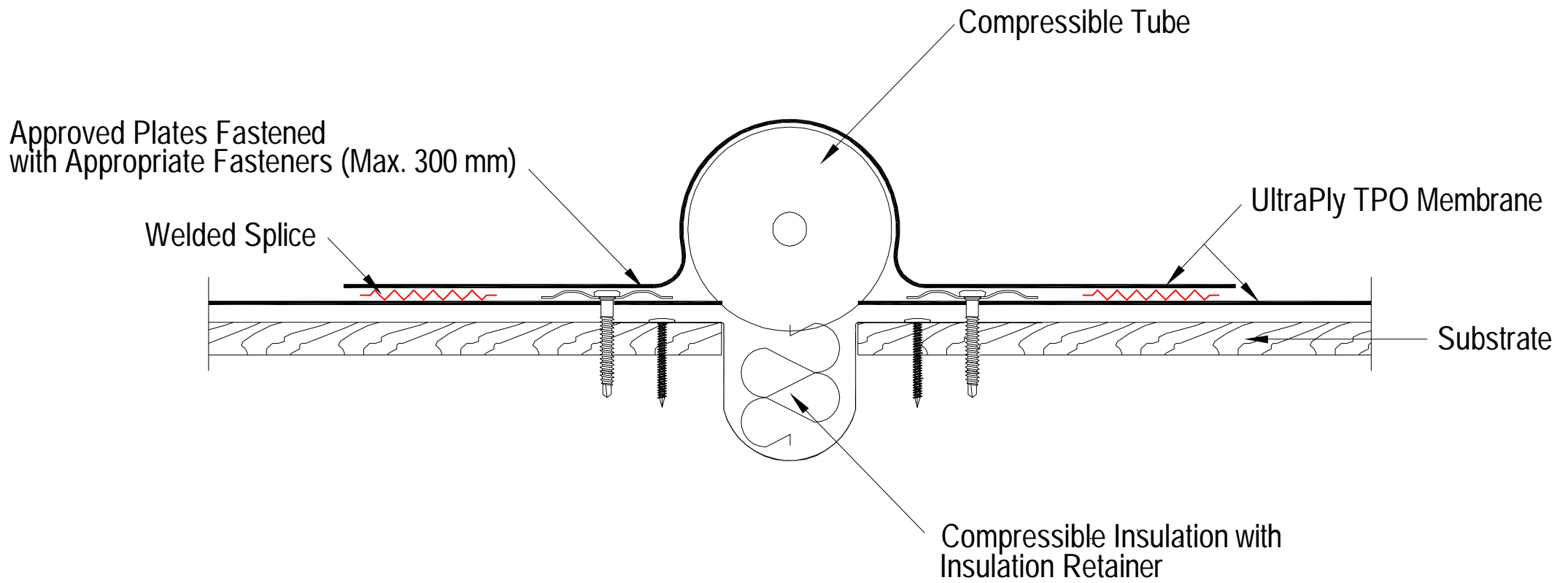
11/07/2024

UltraPly TPO
TPO Pre-molded Scupper

No.:

Systems

All



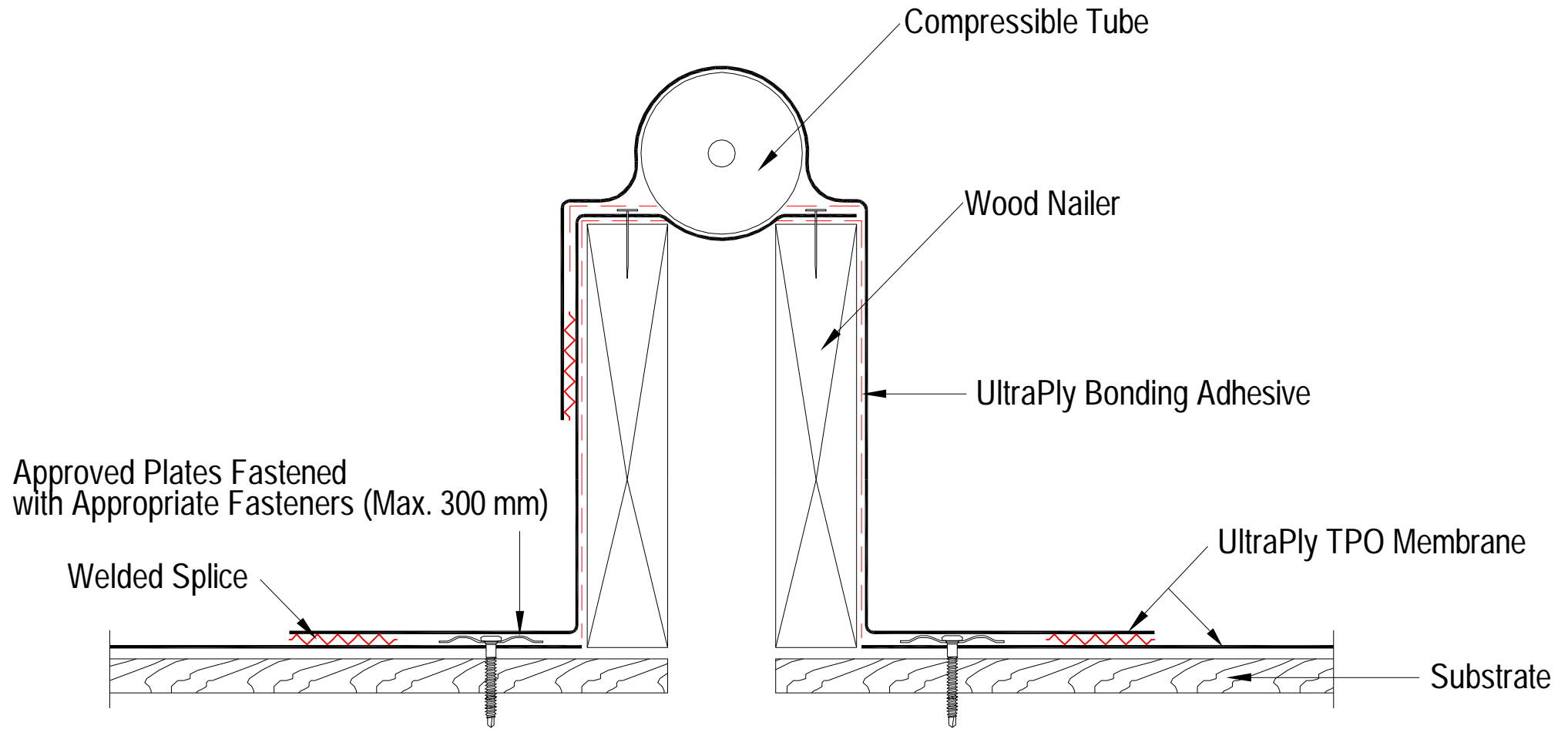
11/07/2024

UltraPly TPO
Flat Expansion Joint with
Welded Splice

No.:

Systems

All



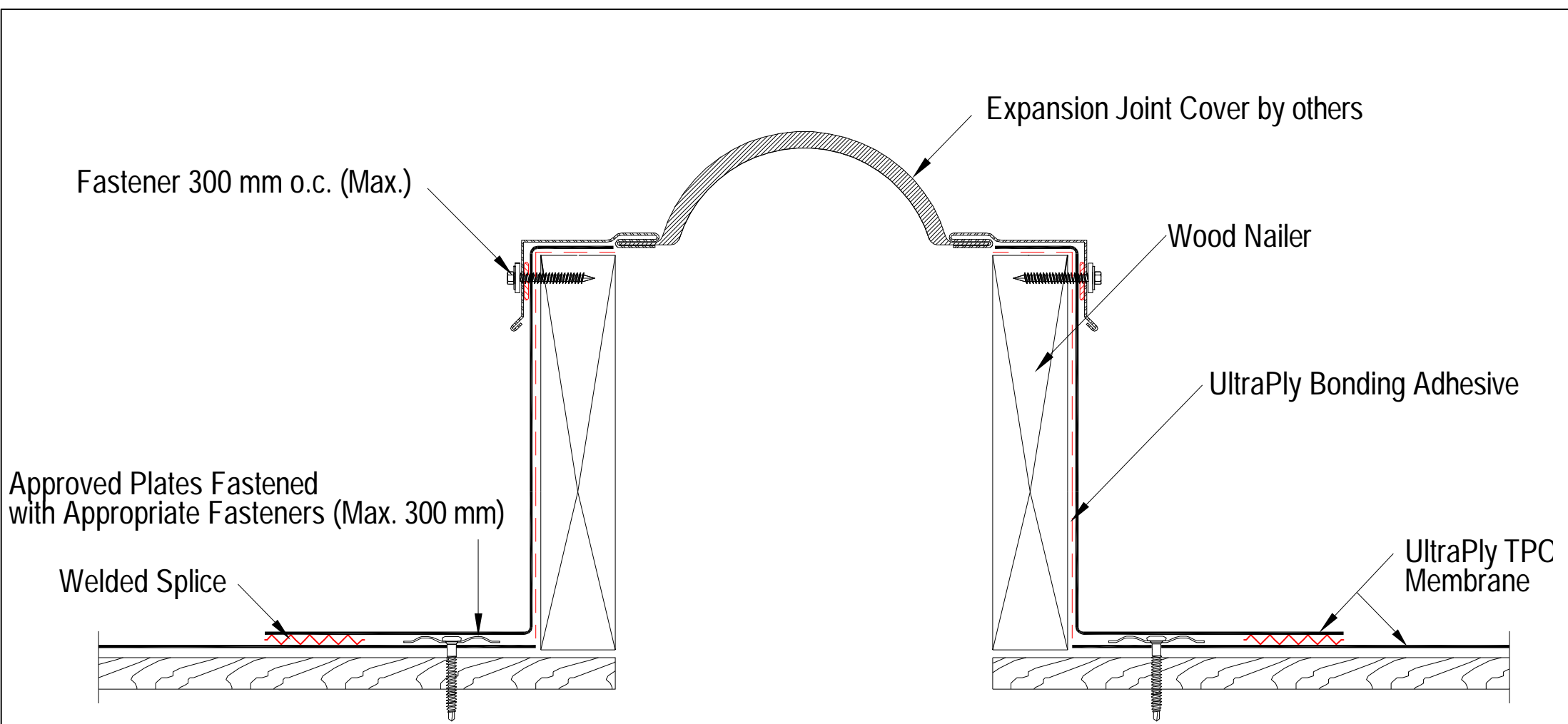
11/07/2024

UltraPly TPO
 Raised Expansion Joint

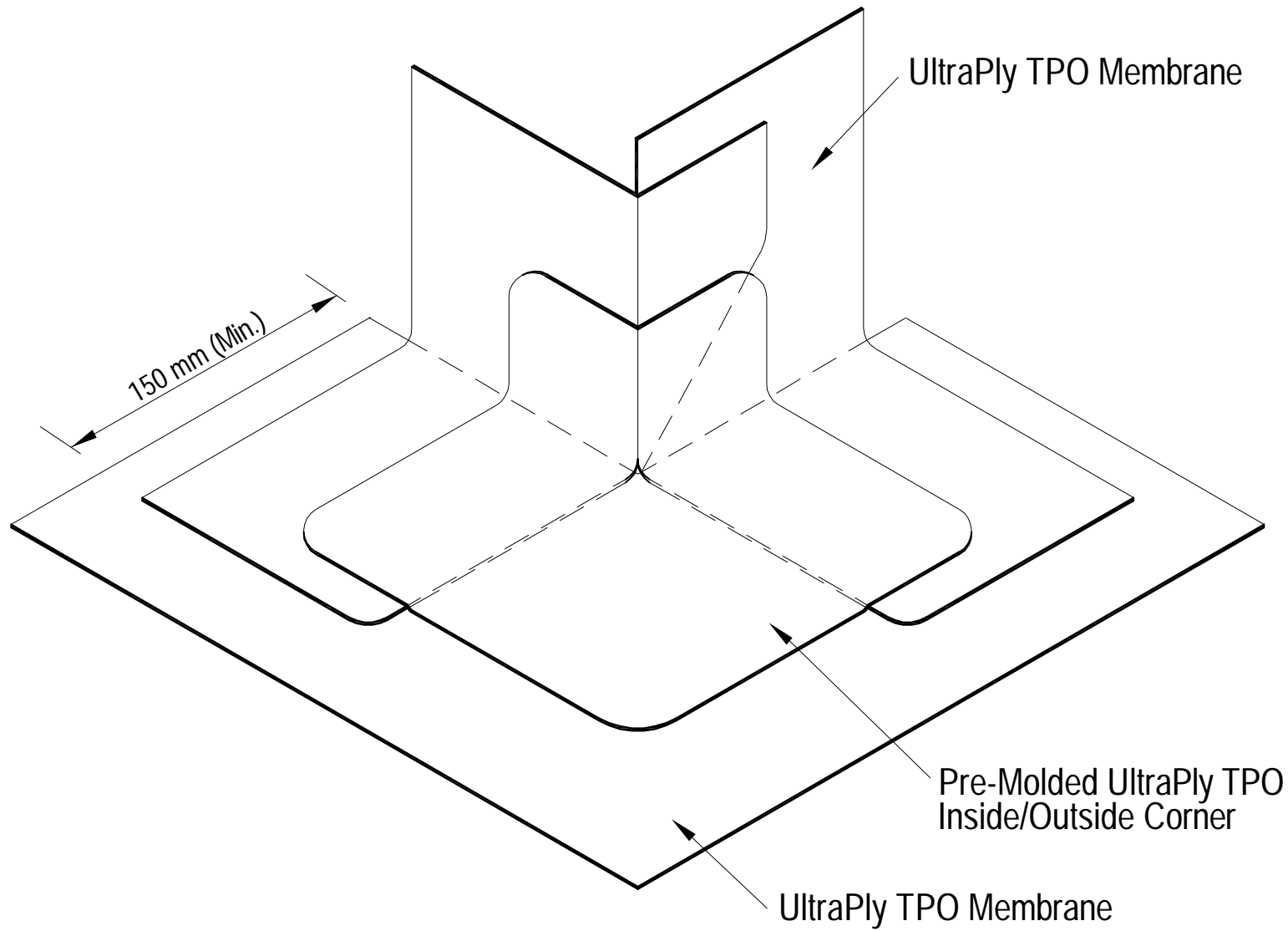
No.:

Systems

All



11/07/2024	UltraPly TPO	No.:	Systems
	Raised Expansion Joint with Metal Joint Cover		All



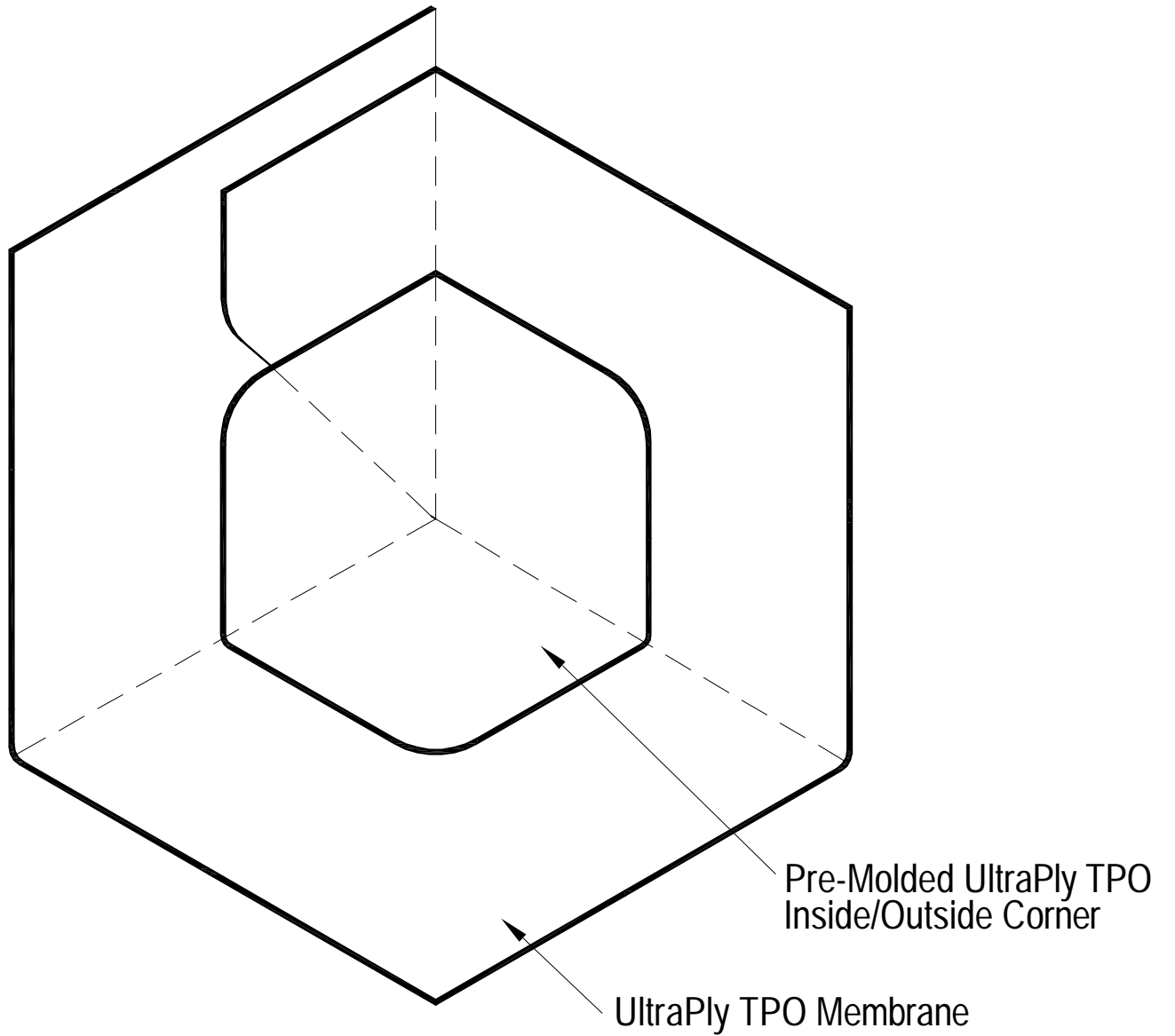
11/07/2024

UltraPly TPO
Outside Corner

No.:

Systems

All

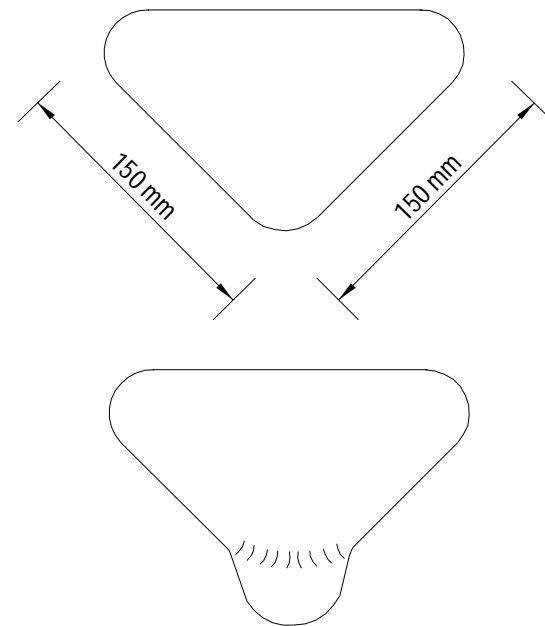
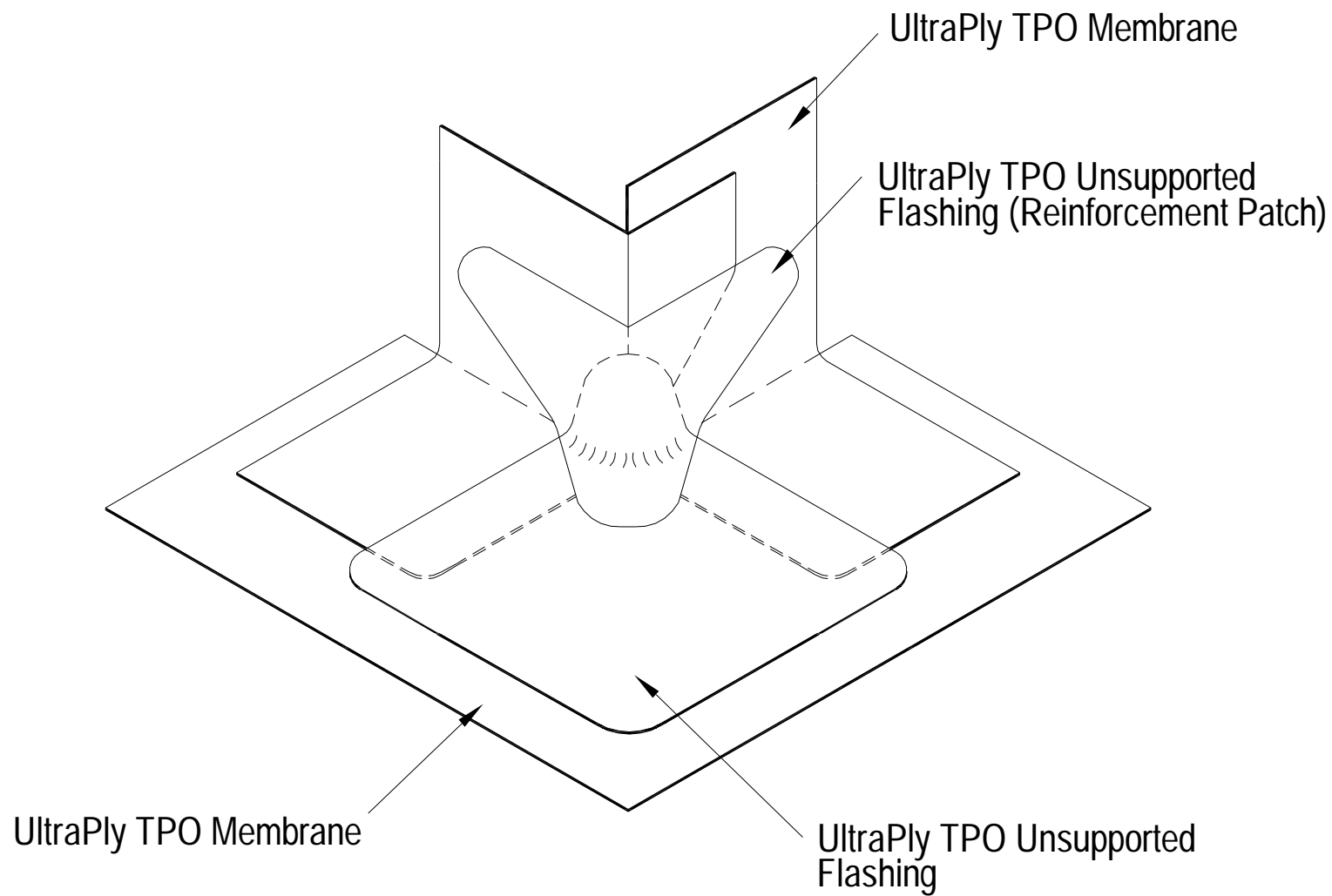


11/07/2024

UltraPly TPO
Inside Corner

No.:

Systems
All



apply heat and form by hand prior to installing

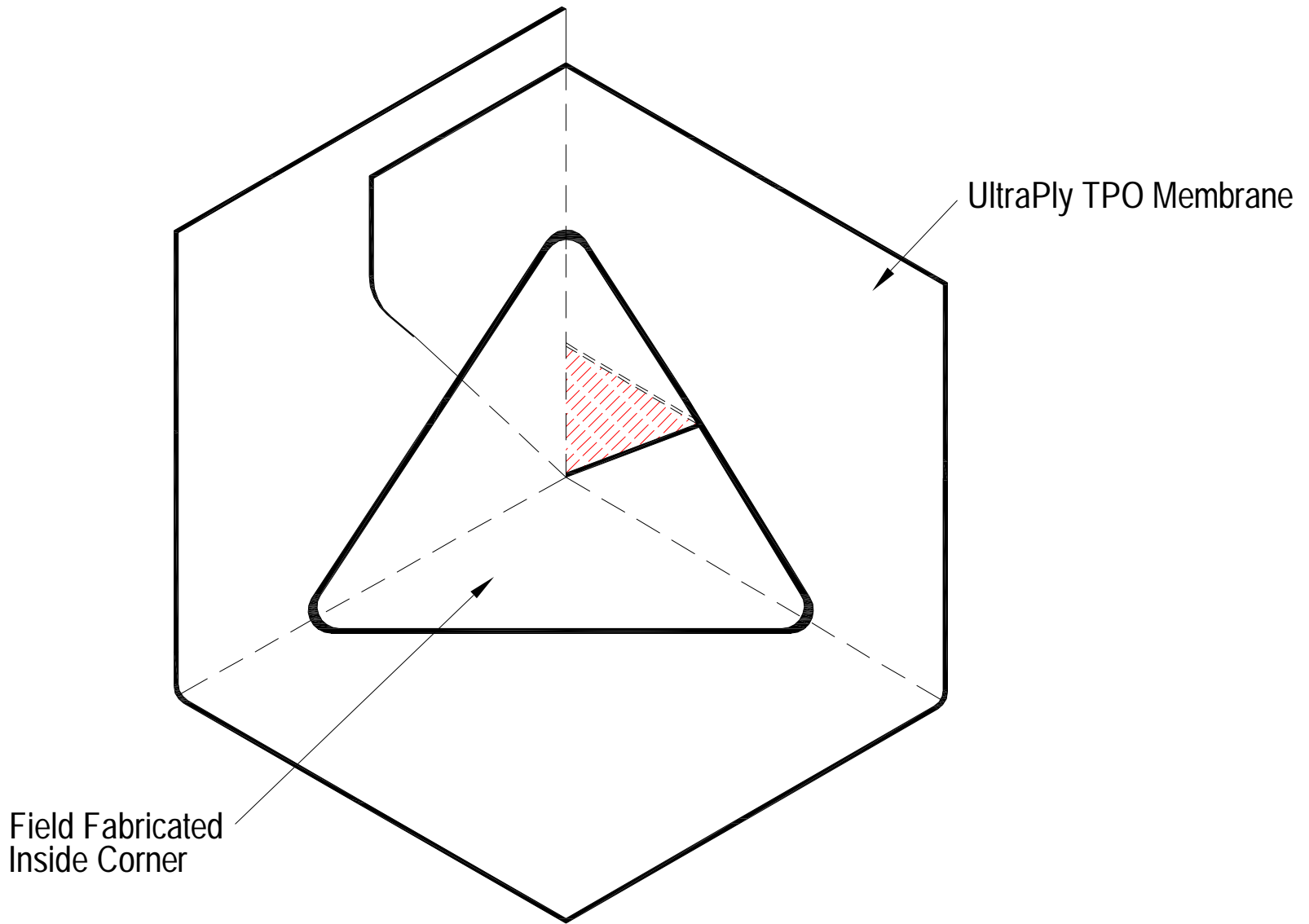
11/07/2024

UltraPly TPO
Field Fabricated
Outside Corner with
Reinforcement Patch

No.:

Systems

All



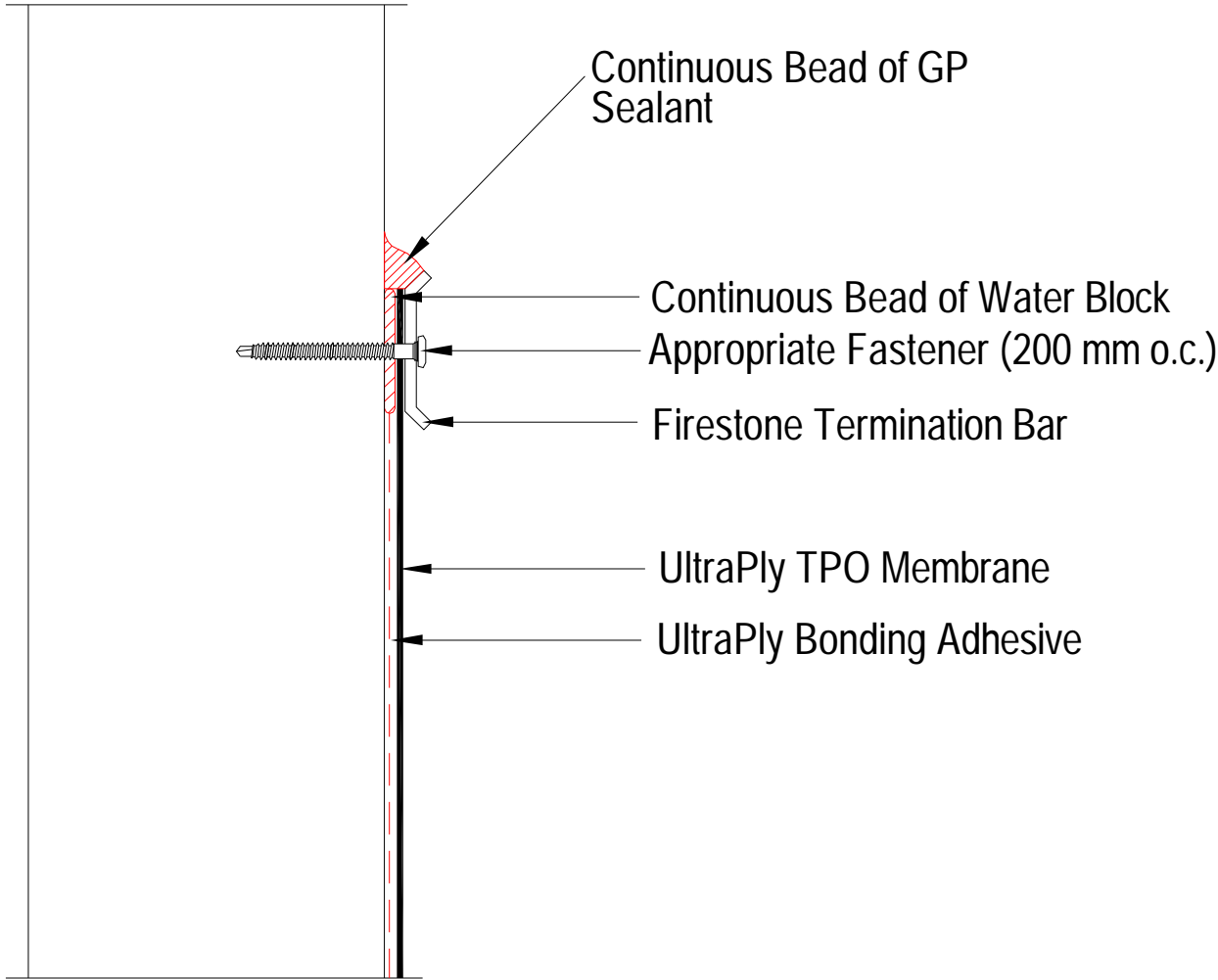
11/07/2024

UltraPly TPO
Field Fabricated
Inside Corner

No.:

Systems

All

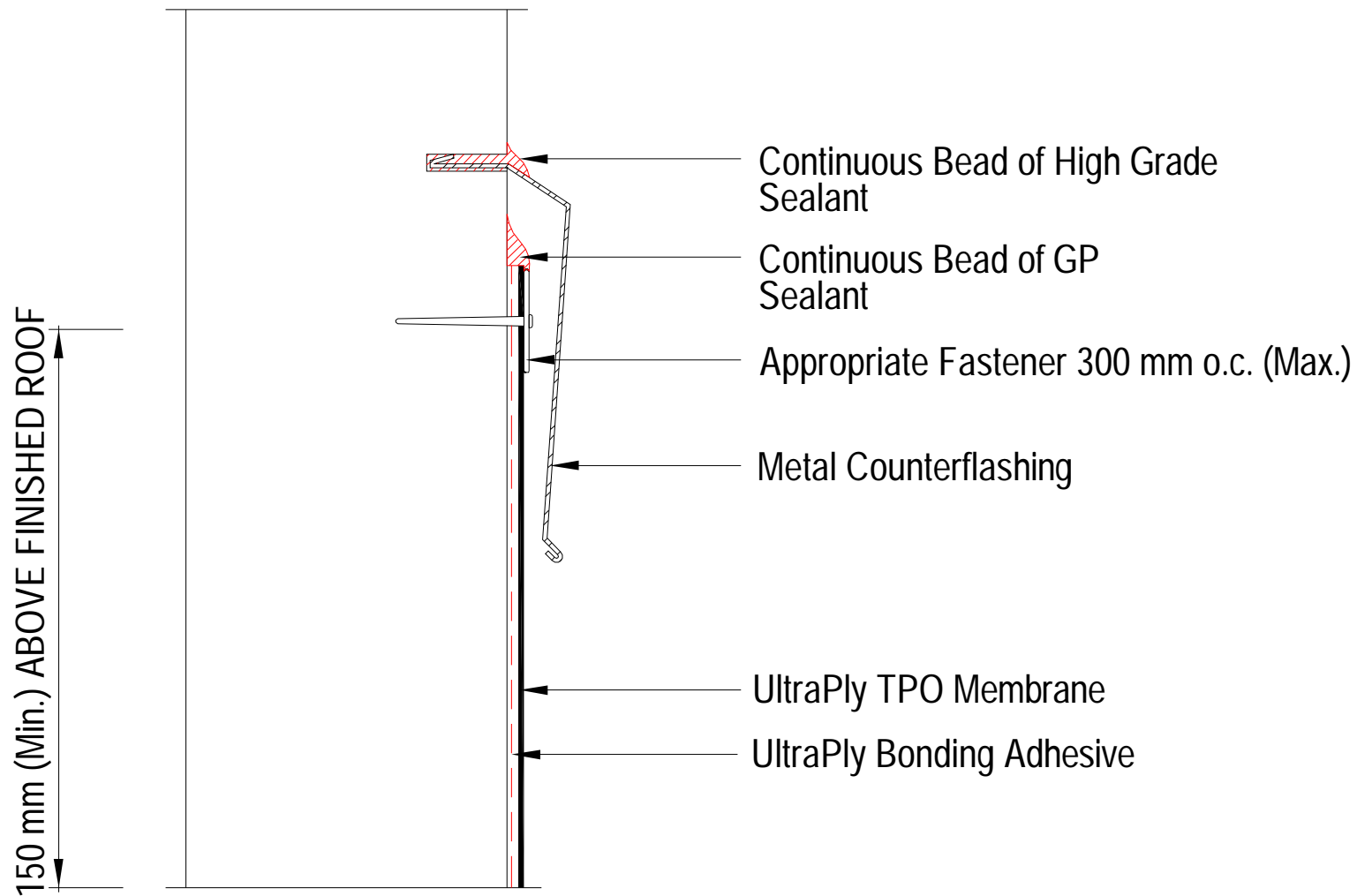


11/07/2024

UltraPly TPO
Termination with Termination Bar

No.:

Systems
All



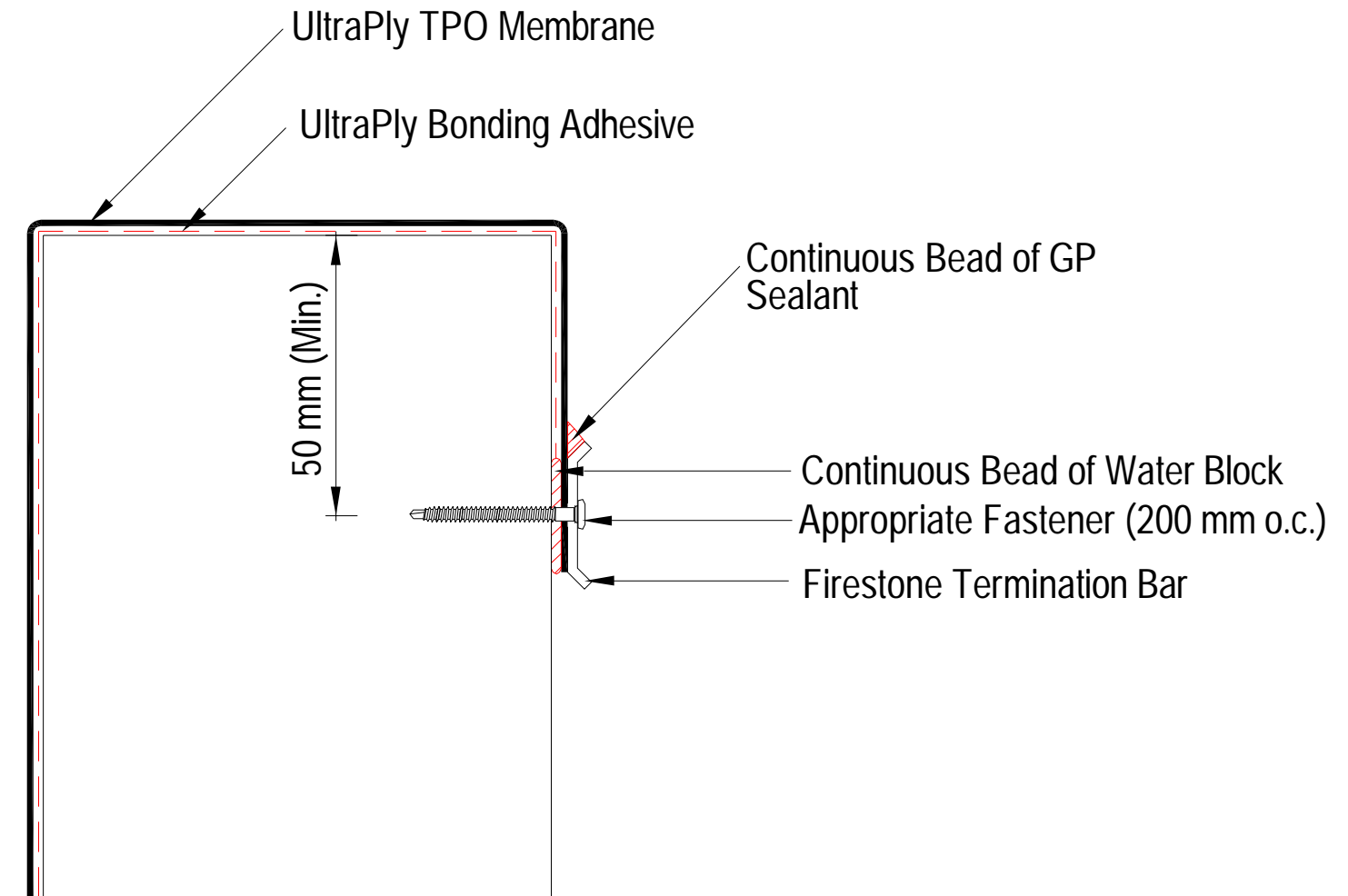
11/07/2024

UltraPly TPO
Termination with Counterflashing

No.:

Systems

All



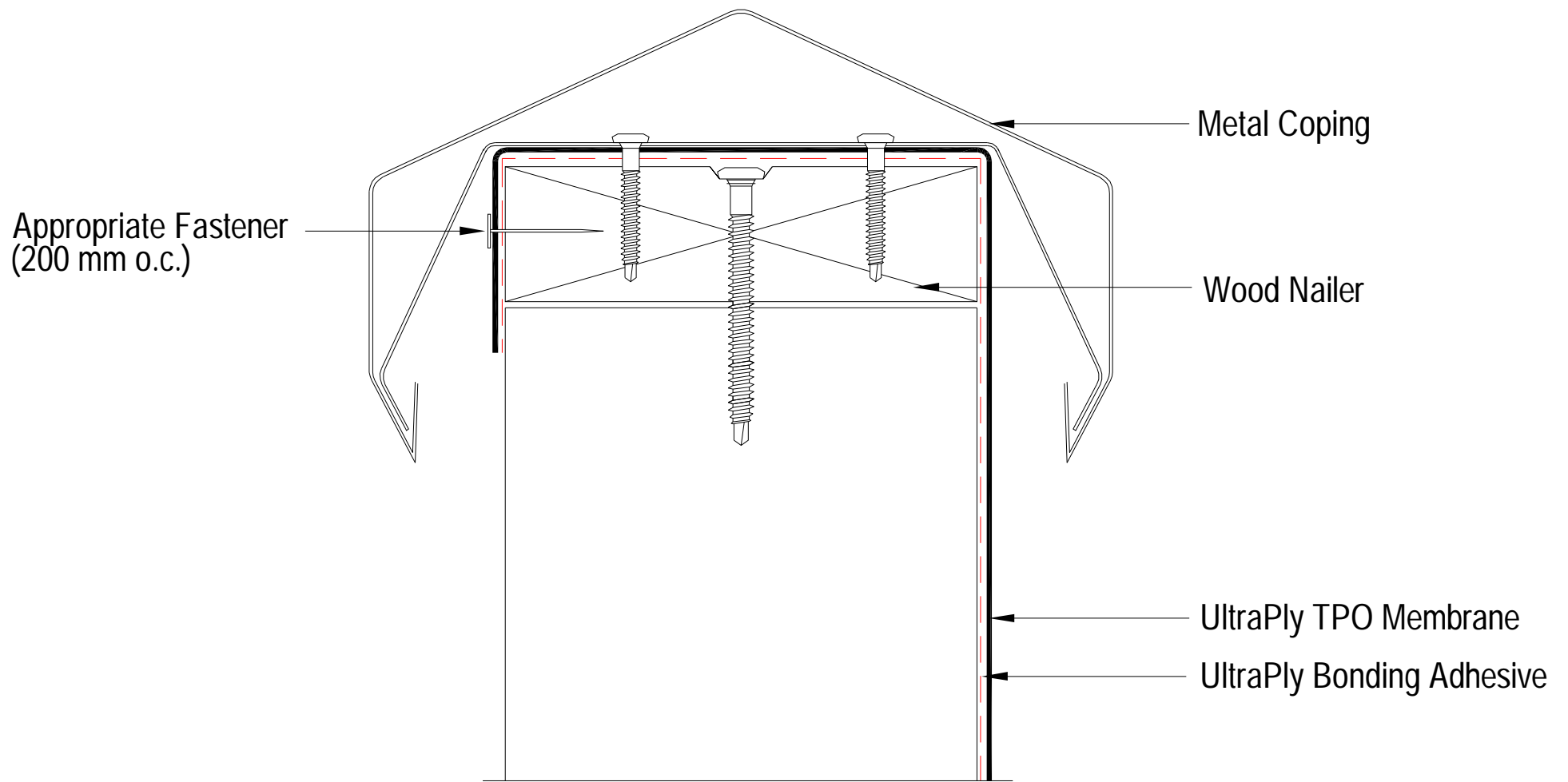
11/07/2024

UltraPly TPO
Termination with Termination Bar
on Outside of Parapet Wall

No.:

Systems

All



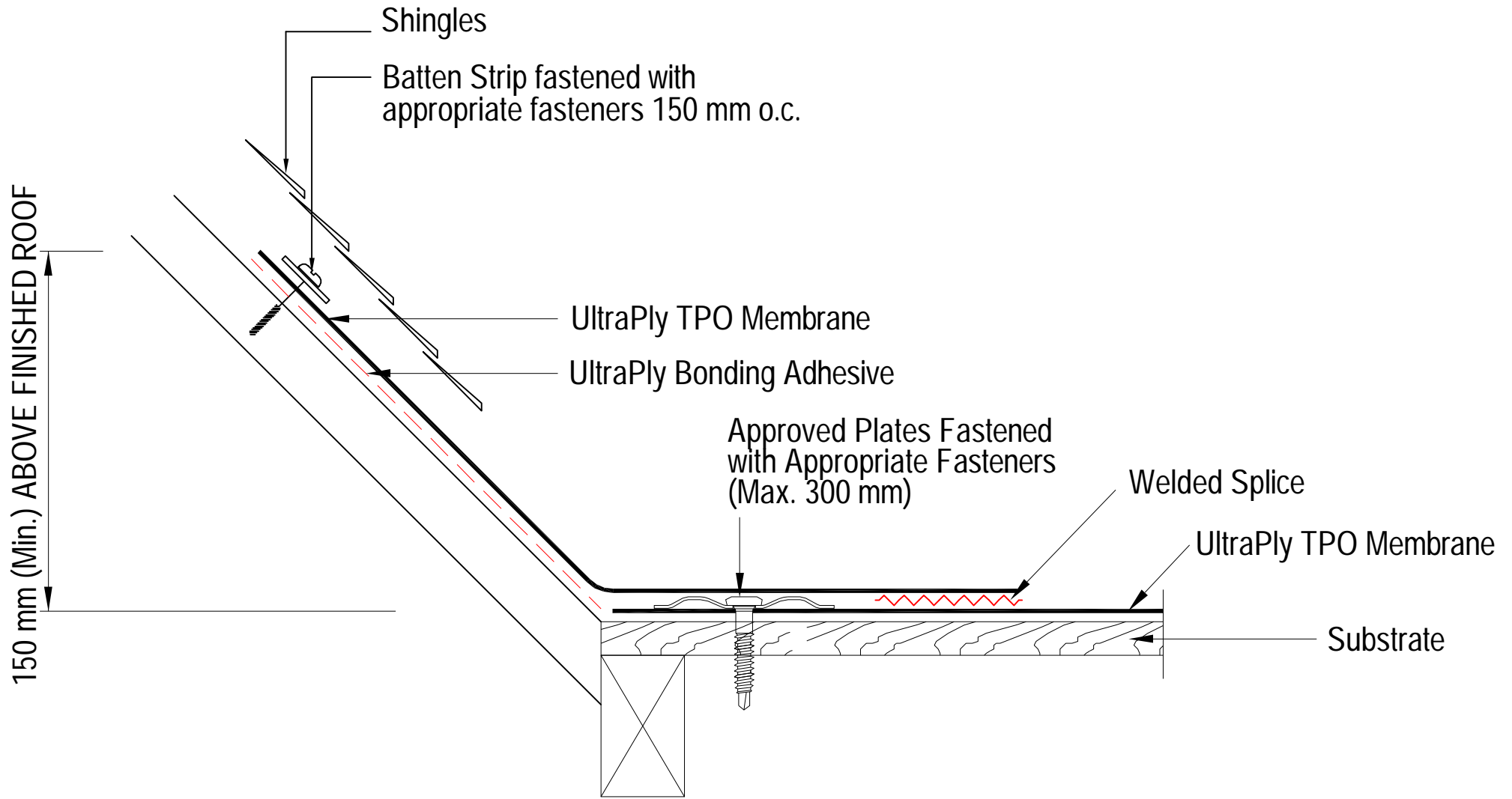
11/07/2024

UltraPly TPO
Termination with Metal Coping

No.:

Systems

All



11/07/2024

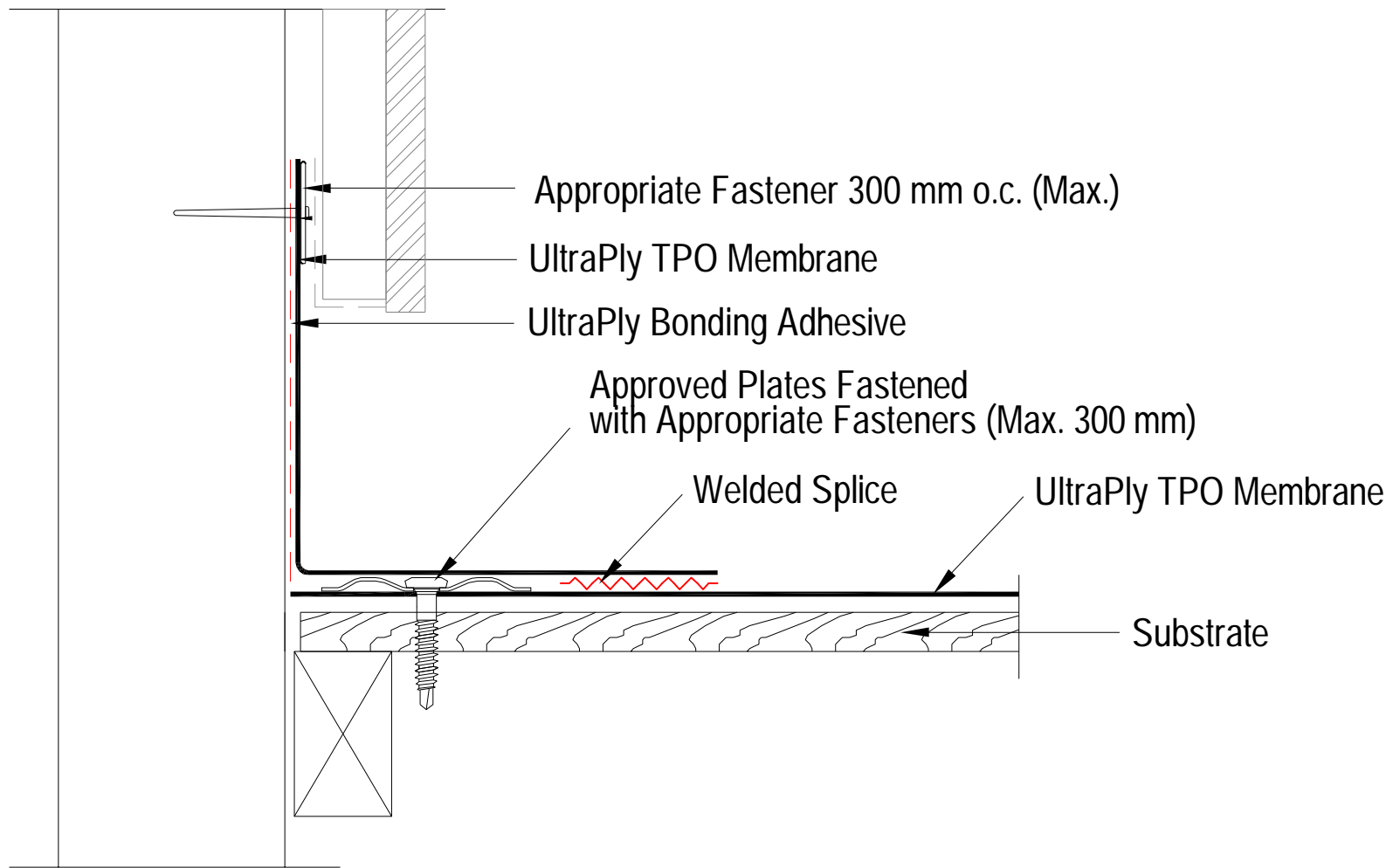
UltraPly TPO
Termination under pitch roof

No.:

Systems

All

150 mm (Min.) ABOVE FINISHED ROOF



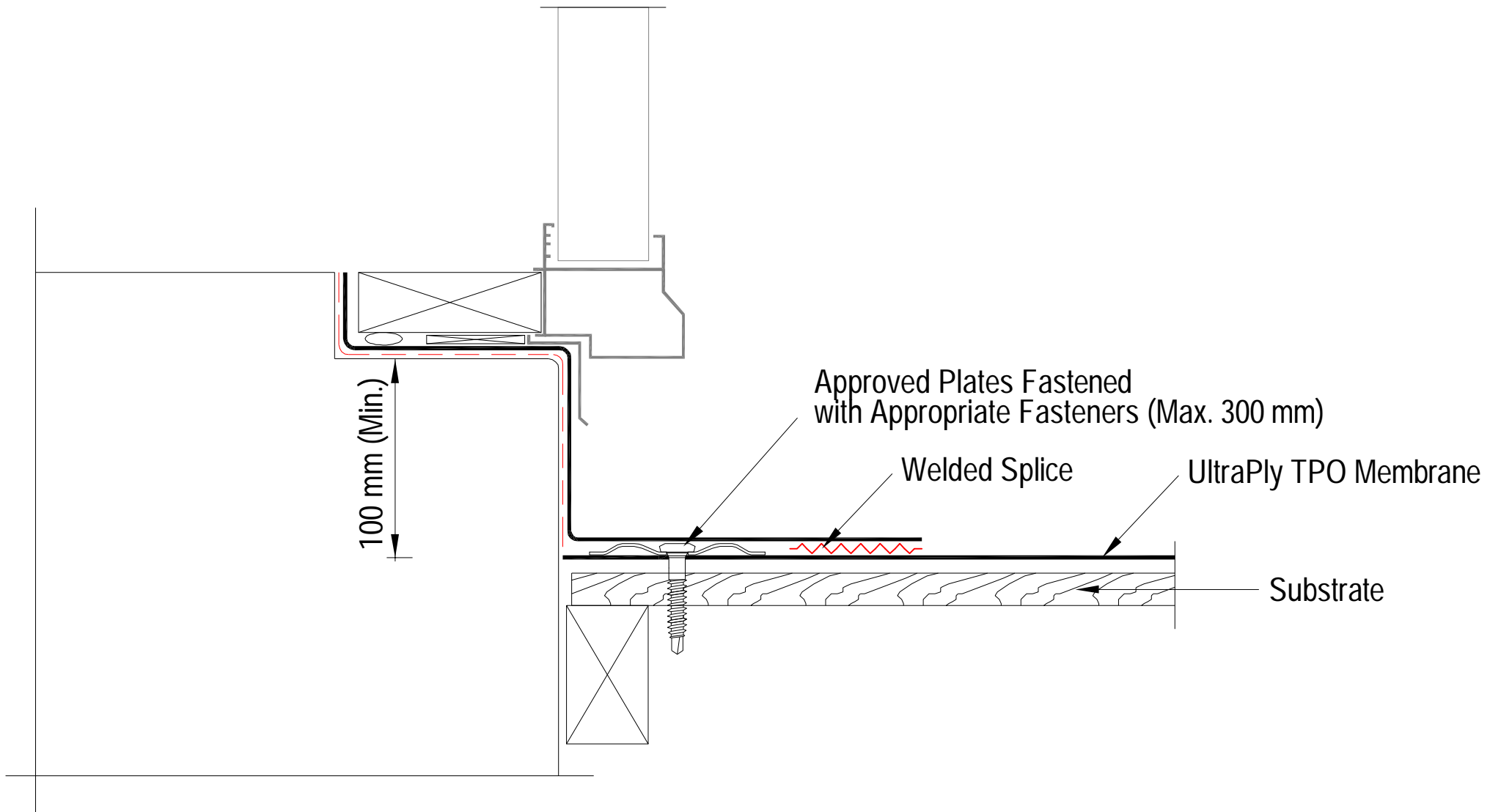
11/07/2024

UltraPly TPO
Termination Behind
EIFS/ wall rendering

No.:

Systems

All



11/07/2024

UltraPly TPO
Deck Threshold to
Deck

No.:

Systems

All